

Your Super Simple Guide to Setting Up Your Versatile Armoire

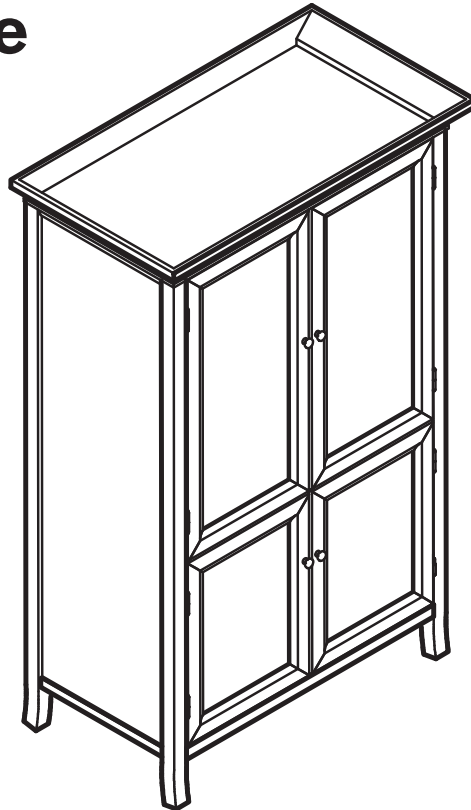
HARDCOAT
Durable Top Coat by Valspar

Product Number: NAH1006b

- 402187 Chestnut Finish
- 402712 Mahogany Finish

Lot Number: _____

Date Purchased: ____/____/____



About Canopy™ Furniture

Decorating your home should be fun and easy. The classic styles of the Canopy™ Cornerstone Collection are designed to work beautifully together and fit right in with your existing furniture.

Here for the Long Haul. Every piece in the Canopy Cornerstone Collection is built of solid hardwood and genuine birch veneer, a construction that increases the furniture's strength and durability.

Stands Up to Real Life. A multi-step finishing process adds depth and clarity to the wood. For added strength, we finish each piece with a topcoat of HardCoat, made for us by Valspar, a leader in coatings for fine furniture.

No worries. Sticky fingers, doggie drool, spilled milk. Life can get messy. Canopy furniture is built to stand up to nearly everything a busy household throws at it.

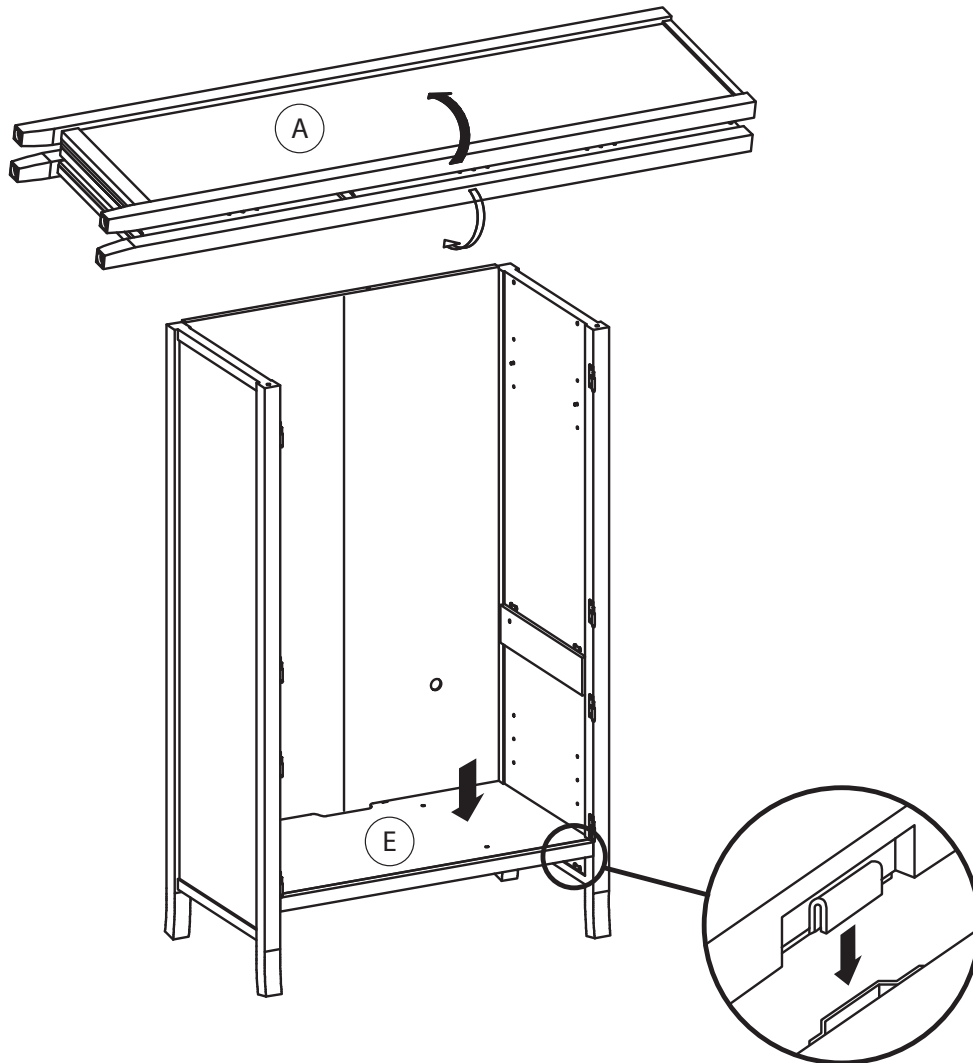
Works hard. Canopy furniture works as hard as you do. Many of the pieces in our collection can multi-task from room-to-room to adapt to the changing needs of your home (or follow the whims of new design and decorating ideas).

The Canopy team would like to thank you for your purchase. Inspired by real life, Canopy furniture will be welcome in your home for years to come. So put your feet up and relax!

This set-up guide contains **important** safety information; please read and keep it for future reference.

NEED HELP? For help with assembly or if you are missing a part, please call the **Sauder Woodworking Co.** 1-800-523-3987 (7 a.m. to 5 p.m. PST).

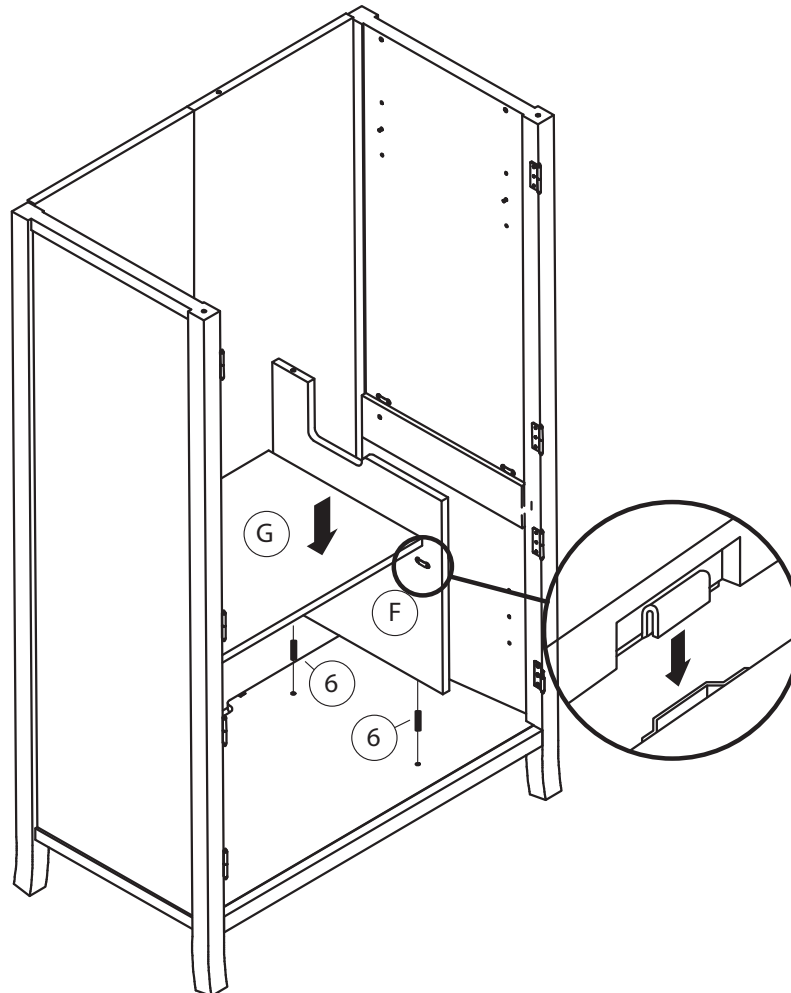
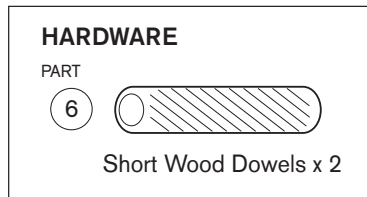
Step 1: Open Armoire Frame



1. Open armoire frame (A) by folding out panels.
2. Place bottom shelf (E) onto brackets on armoire frame.
(Make sure that the shelf's hooks fit securely into the attached bracket.)

NEED HELP? For help with assembly or if you are missing a part, please call the **Sauder Woodworking Co.** 1-800-523-3987 (7 a.m. to 5 p.m. PST).

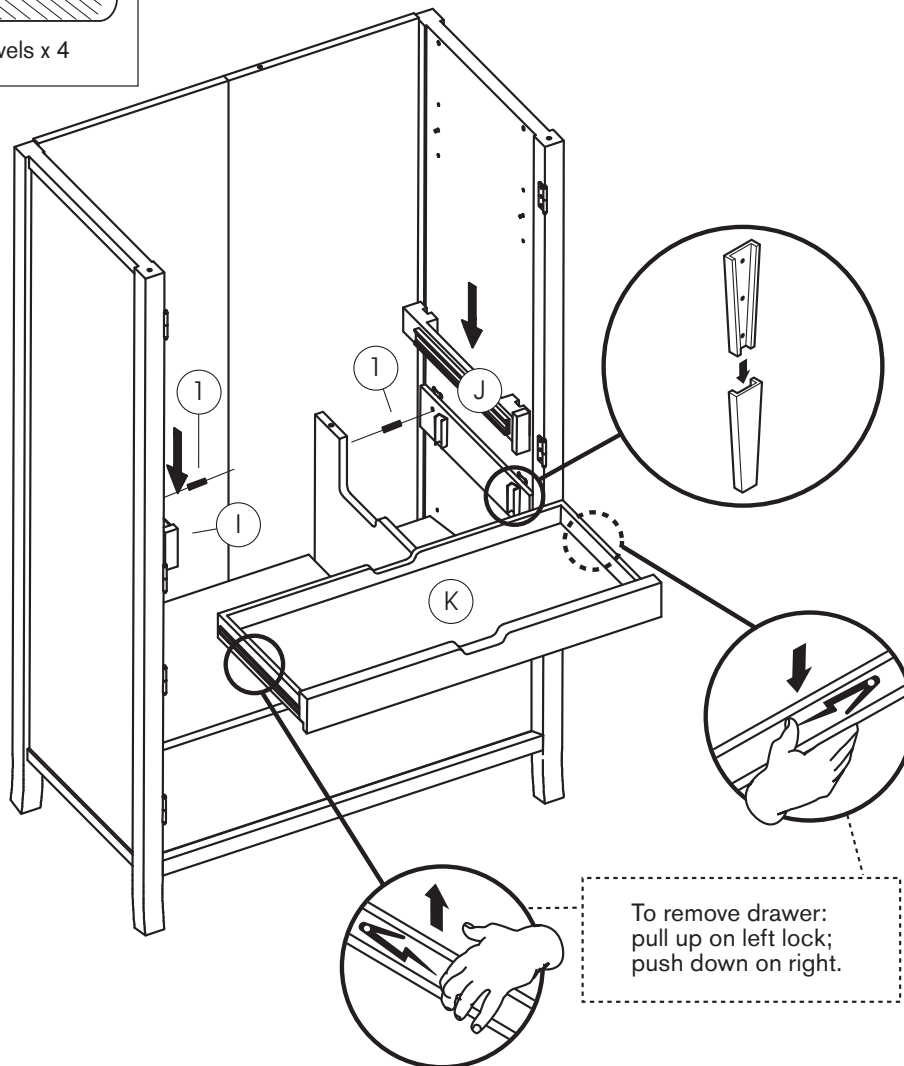
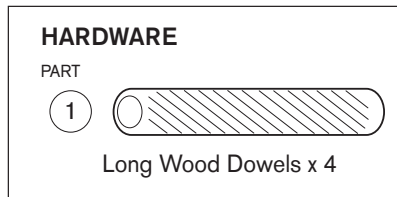
Step 2: Attach Divider and Insert Left Shelf



1. Insert two short wood dowels (6) into holes in bottom shelf.
2. Place divider (F) onto wood dowels.
3. Place left shelf (G) onto brackets on divider and armoire frame.

NEED HELP? For help with assembly or if you are missing a part, please call the **Sauder Woodworking Co.** 1-800-523-3987 (7 a.m. to 5 p.m. PST).

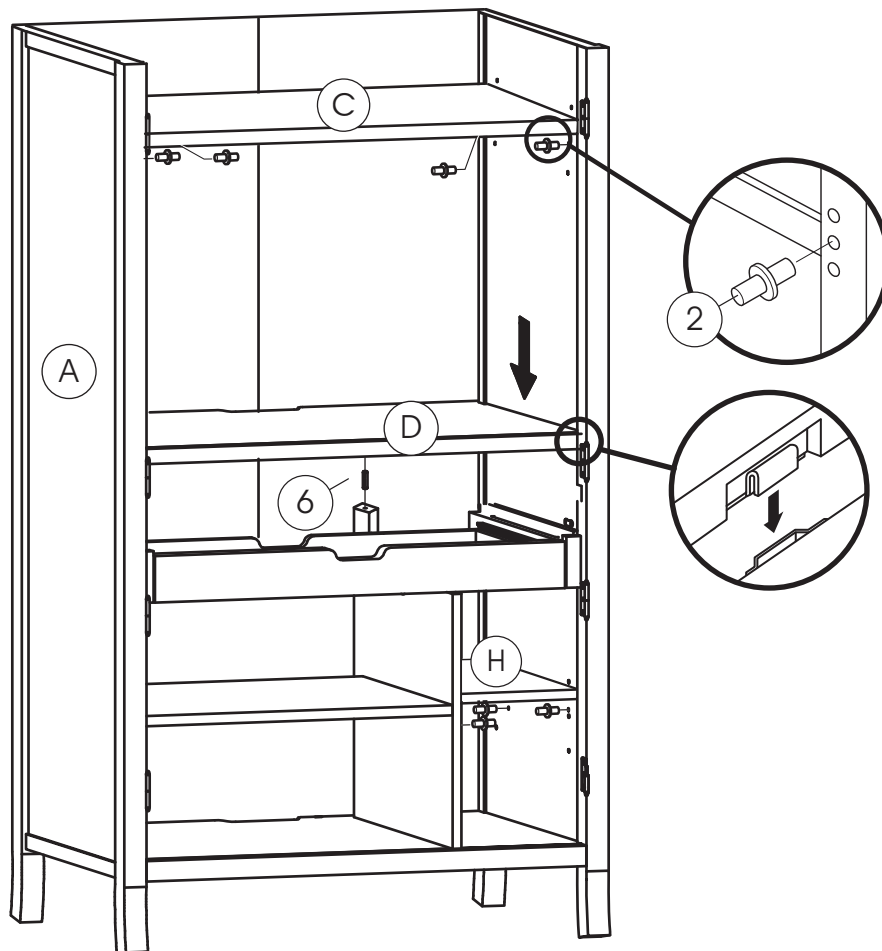
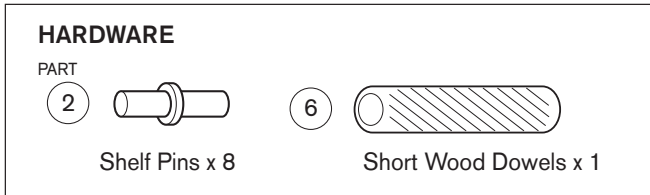
Step 3: Connect Left and Right Drawer Sliders



1. Connect brackets on left and right drawer sliders (I) and (J) with brackets on armoire frame.
2. Insert four long dowels (1) into holes in drawer sliders. If necessary, gently tap dowels into place.
3. Pull track on left and right sliders all the way forward (including ball bearing rack). Align tracks on drawer with sliders and push in the drawer (K).
4. Slowly open and close drawer several times to ensure a good connection. If drawer isn't sitting evenly, find the black locks on the sides of the drawer. Pull up on the left lock and push down on the right and pull out the drawer. Repeat step 1.

NEED HELP? For help with assembly or if you are missing a part, please call the **Sauder Woodworking Co.** 1-800-523-3987 (7 a.m. to 5 p.m. PST).

Step 4: Install Middle Shelf and Adjustable Shelves


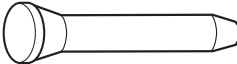
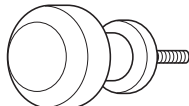


1. Place middle shelf (D) onto brackets on armoire frame (A). Make sure that the shelf's hooks fit securely into the attached frame.
2. Choose a shelf height for each adjustable shelf (C) and (H). Insert a shelf pin (2) into each of the four holes to support each shelf.
3. Place upper shelf (C) and lower right shelf (H) onto pins.

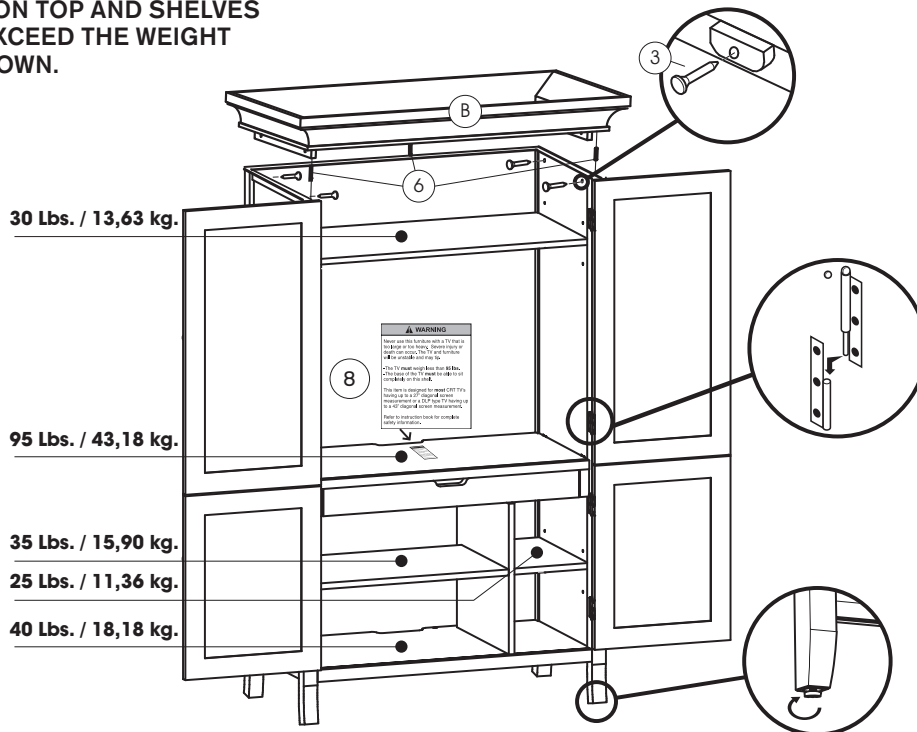
NEED HELP? For help with assembly or if you are missing a part, please call the **Sauder Woodworking Co.** 1-800-523-3987 (7 a.m. to 5 p.m. PST).

Step 5: Add Top Panel, Attach Doors and Level the Armoire

(Hooray! You're almost done!)

HARDWARE		PART	PART
6		3	
	Short Wood Dowels x 3		4 5 
			Wood or Metal Knobs x 4

PLEASE USE CARE AND GOOD JUDGEMENT WHEN PLACING OBJECTS ON TOP AND SHELVES DO NOT EXCEED THE WEIGHT LIMITS SHOWN.



1. Insert a short wood dowel (6) into each of the three holes in top of the armoire frame.
2. Place the top panel (B) onto the armoire frame and secure using four retainer pins (3).
3. Align the hinges on each door with hinges on the armoire frame and slide into place.
4. Choose either metal or wood knobs (4) or (5) and screw them into the armoire doors.
5. Place warning label (8) onto shelf (this will be a permanent location and should not be removed).
6. Once the armoire is in place, you may need to level it. With help, tilt the armoire and rotate the floor levelers as needed so the armoire sits level.
7. For safety, we recommend mounting the armoire to the wall using the enclosed kit.

NEED HELP? For help with assembly or if you are missing a part, please call the **Sauder Woodworking Co.** 1-800-523-3987 (7 a.m. to 5 p.m. PST).

Safety Precautions

Please review the following safety precautions to prevent personal injury or damage to the furniture:

Warning: Do not exceed the maximum weight limit because it can damage the furniture and cause it to tip over.

For Your Child's Safety:

- Do not allow your children to climb or jump on furniture due to possible accident, injury or death.
- A child climbing on a piece of furniture can make it top-heavy and cause the furniture to tip over.

Bulky and Heavy Items:

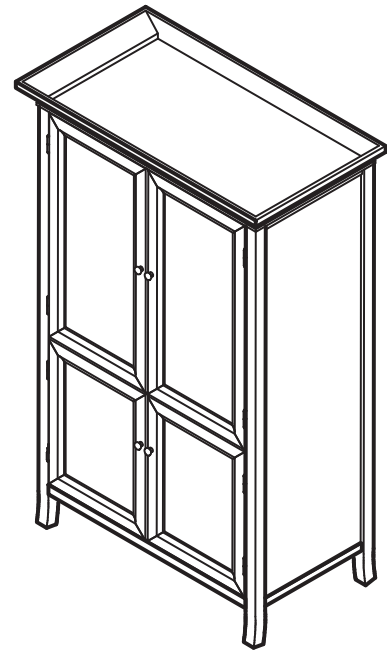
- Use your armoire appropriately. Do not overload the shelves due to possible risk of injury to yourself or damaging the furniture.
- Never move or push heavy furniture by yourself because it can cause the furniture to tip over. Ask a friend to help you lift the furniture and set it in appropriate place.

Securing Furniture:

- Use the included mounting kit to secure furniture to wall studs.

TV Safety:

- The armoire cabinet accommodates most 32" flat-panel TVs and some 27" TVs. Monitor/TV weight must not exceed 95 lbs.; maximum depth is 19" (48 cm) for CPUs and 27" CRTs.
- Use the appropriate and correctly sized furniture designed to properly support your TV size and weight.



Cleaning and Care for Your Canopy Furniture

- Use products specifically made for cleaning wood.
- Dust frequently with a soft dry cloth in the direction of the grain.
- Use a wood conditioning cleaner that does not contain waxes or silicones (test the product in an unseen location first).
- Clean spills immediately with a soft, damp cloth.
- Standing water can cause white spots on the wood finish.
- Chemicals such as alcohol, perfume, and medicines can cause severe damage to the wood finish.
- Protect wood surfaces by using coasters.
- Use a protective pad when using your furniture as a desk or writing surface (especially when using a ballpoint pen).
- Do not expose wood furniture to direct sunlight, drying heat sources or dampness.

NEED HELP? For help with assembly or if you are missing a part, please call the **Sauder Woodworking Co.** 1-800-523-3987 (7 a.m. to 5 p.m. PST).

LIMITED 1-YEAR WARRANTY

1. Sauder® furniture is warranted by Sauder Woodworking Co. (Sauder) to the original purchaser for a period of one year from the date of purchase against defects in the material or workmanship of furniture components. As used in this Warranty, “defects” mean imperfections in components, which substantially impair the utility of the product.
2. Under this Warranty, Sauder will (at its sole option) repair or replace a defective furniture component. As a condition of furnishing a replacement component claimed to be defective, Sauder may require independent confirmation of the claimed defect. Replacement parts will be warranted for only the remaining period of the original Warranty. This Warranty does not cover the cost of assembly or disassembly, transportation, labor, or any other incidental costs involved in the removal of a defective part or the installation of the replacement part.
3. This Warranty applies under conditions of normal use only. This Warranty does not apply to defects that result from accident, misuse or abuse, intentional damage, fire, flood, alteration or modification of the product, negligence, exposure, or use of the product in a manner inconsistent with its intended use. Sauder shall not be liable for any expense to repair or replace any item placed on, in, or around any Sauder furniture product.
4. This Warranty applies only as long as the product continues to be held for use by the original purchaser. The Warranty cannot be transferred to subsequent owners or users of the product, and it shall be immediately invalidated in the event that the product is resold, transferred, leased or rented to any third party or person other than the original purchaser.
5. THERE ARE NO OTHER EXPRESS WARRANTIES OTHER THAN AS SET FORTH ABOVE. FURTHERMORE, NO IMPLIED WARRANTY, INCLUDING, BUT NOT LIMITED TO, ANY IMPLIED WARRANTY OF MERCHANTABILITY OR FITNESS FOR A PARTICULAR PURPOSE, SHALL EXTEND BEYOND THE TERM OF THIS EXPRESS WARRANTY. Some states do not allow limitations on how long an implied warranty lasts, so the above limitation may not apply to you. SAUDER SHALL HAVE NO LIABILITY TO ANY PERSON FOR LOST PROFITS OR FOR ANY SPECIAL, CONSEQUENTIAL, INDIRECT, EXEMPLARY OR INCIDENTAL DAMAGES OF ANY KIND WHETHER ARISING IN CONTRACT, TORT, PRODUCT LIABILITY OR OTHERWISE. Some states do not allow the exclusion or limitation of incidental or consequential damages, so the above limitation or exclusion may not apply to you. This warranty gives you specific legal rights, and you may also have other rights which vary from state to state. Outside the USA, specific legal rights may vary depending on the country of residence of the original purchaser.
6. For warranty inquiries or claims, you may contact Sauder at 1-800-523-3987, e-mail us at www.sauder.com, or fax us at 419-446-3444. Sauder may require warranty claims to be submitted in writing to Sauder Woodworking Co., 502 Middle Street, Archbold, OH 43502 USA. Please include your sales receipt or other proof of purchase and a specific description of the product defect.