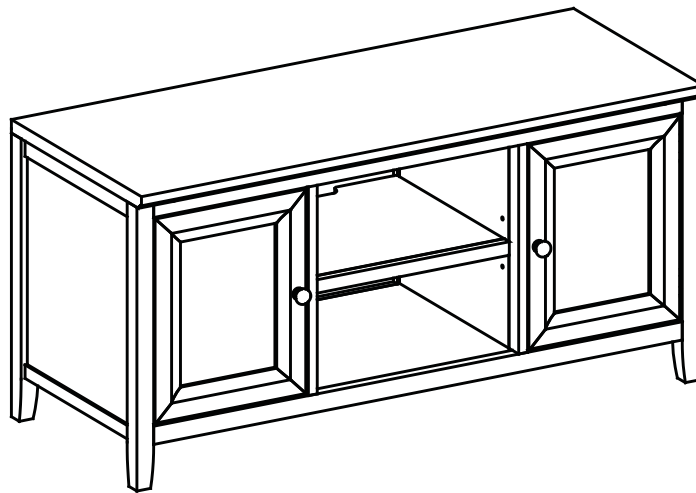


Your Super Simple Guide to Setting Up Your Canopy™ TV Stand

HARDCOAT
Durable Top Coat by valspar



Product Number: NAH806

- 402383 Chestnut Finish
- 402717 Mahogany Finish

Lot Number: _____

Date Purchased: ____/____/____

About Canopy™ Furniture

Decorating your home should be fun and easy. The classic styles of the Canopy™ Cornerstone Collection are designed to work beautifully together and fit right in with your existing furniture.

Here for the Long Haul. Every piece in the Canopy Cornerstone Collection is built of solid hardwood and genuine birch veneer, a construction that increases the furniture's strength and durability.

Stands Up to Real Life. A multi-step finishing process adds depth and clarity to the wood. For added strength, we finish each piece with a topcoat of HardCoat, made for us by Valspar, a leader in coatings for fine furniture.

No worries. Sticky fingers, doggie drool, spilled milk. Life can get messy. Canopy furniture is built to stand up to nearly everything a busy household throws at it.

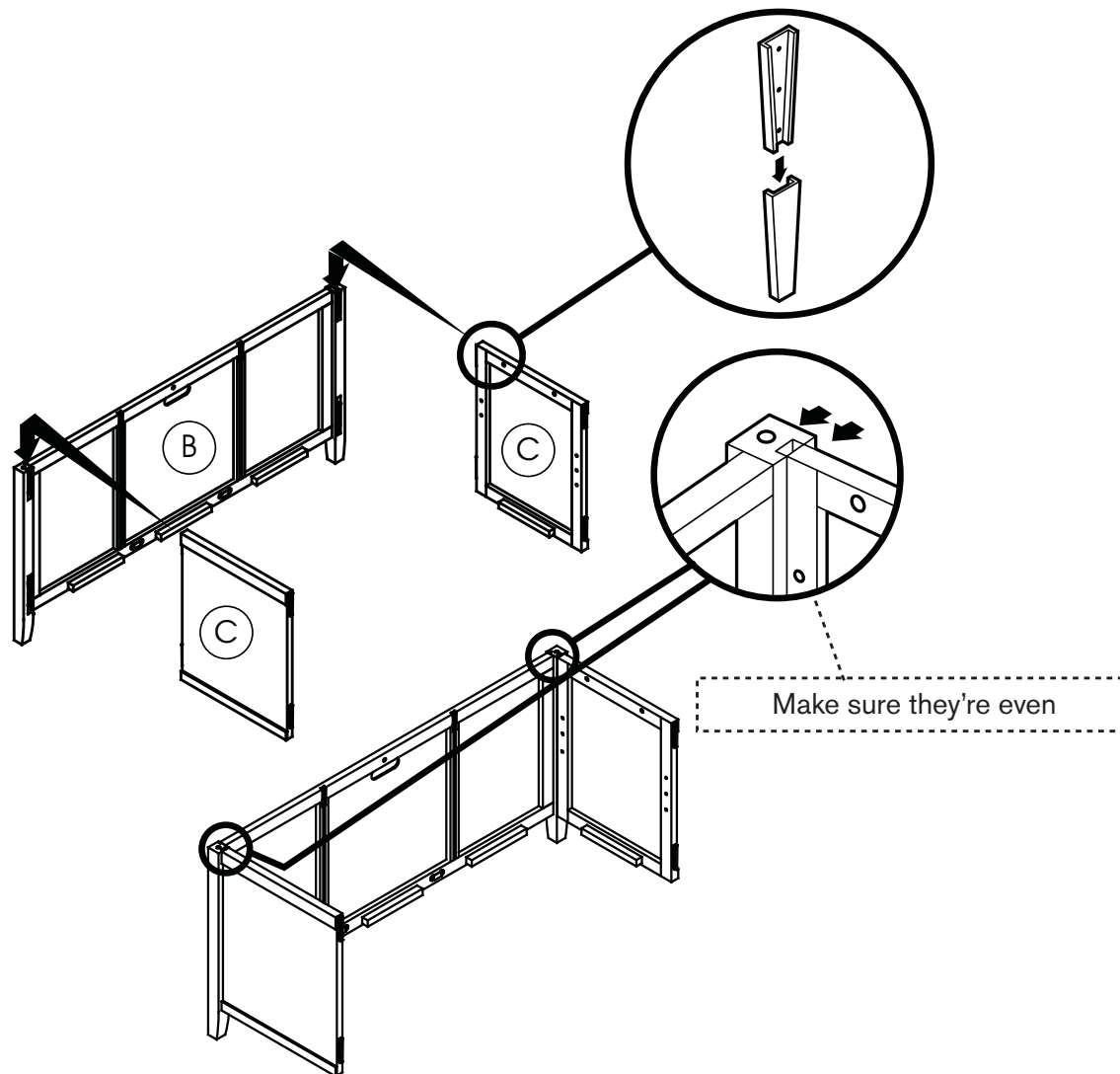
Works hard. Canopy furniture works as hard as you do. Many of the pieces in our collection can multi-task from room-to-room to adapt to the changing needs of your home (or follow the whims of new design and decorating ideas).

The Canopy team would like to thank you for your purchase. Inspired by real life, Canopy furniture will be welcome in your home for years to come. So put your feet up and relax!

This set-up guide contains **important** safety information; please read and keep it for future reference.

NEED HELP? For help with assembly or if you are missing a part, please call the **Sauder Woodworking Co.** 1-800-523-3987 (7 a.m. to 5 p.m. PST).

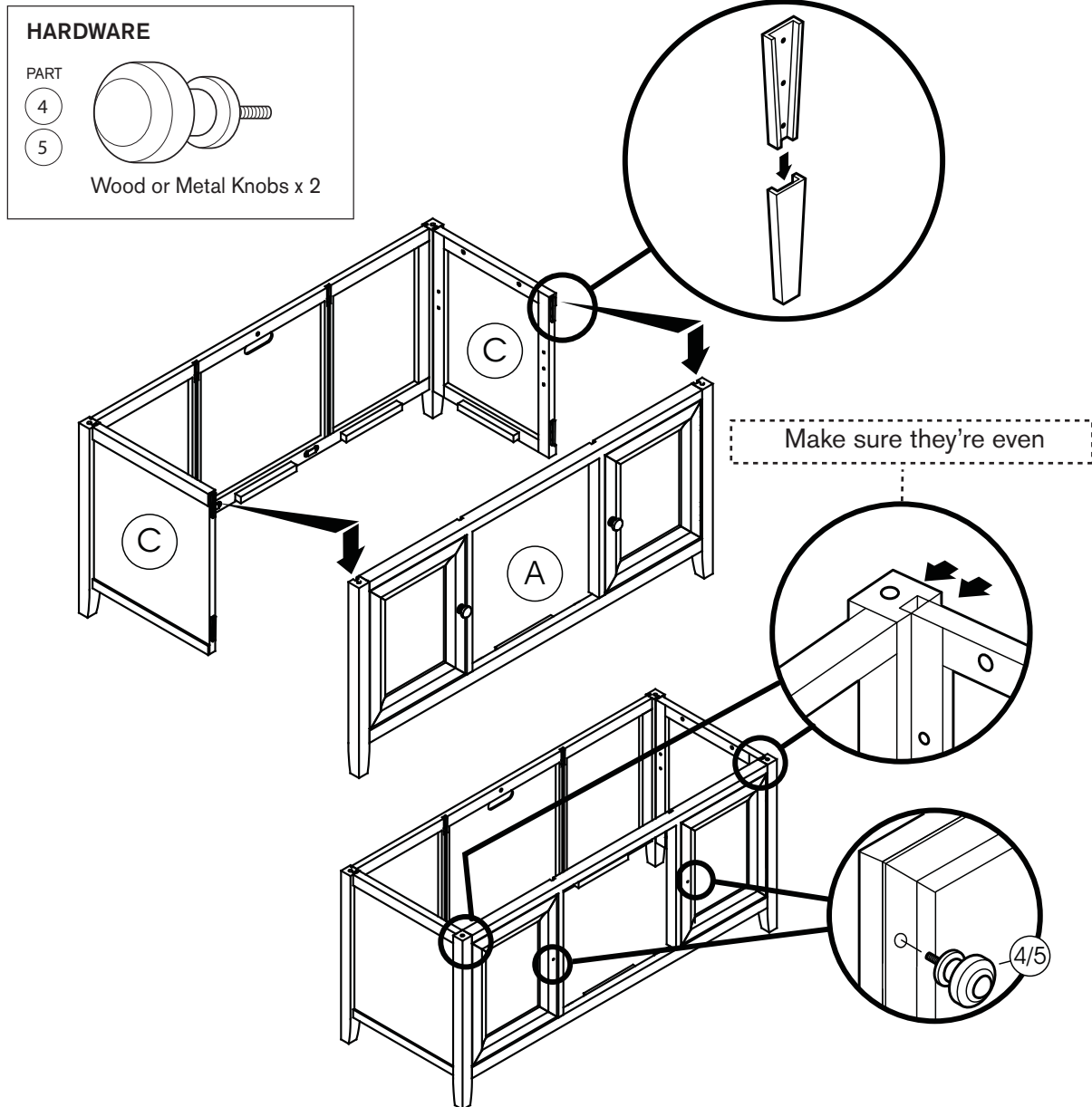
Step 1: Attach Side Panels to Rear Panel



1. Place brackets on side panels (C) into slots on the rear panel (B).
2. Push panels down until secure, but loose enough to remove.

NEED HELP? For help with assembly or if you are missing a part, please call the **Sauder Woodworking Co.** 1-800-523-3987 (7 a.m. to 5 p.m. PST).

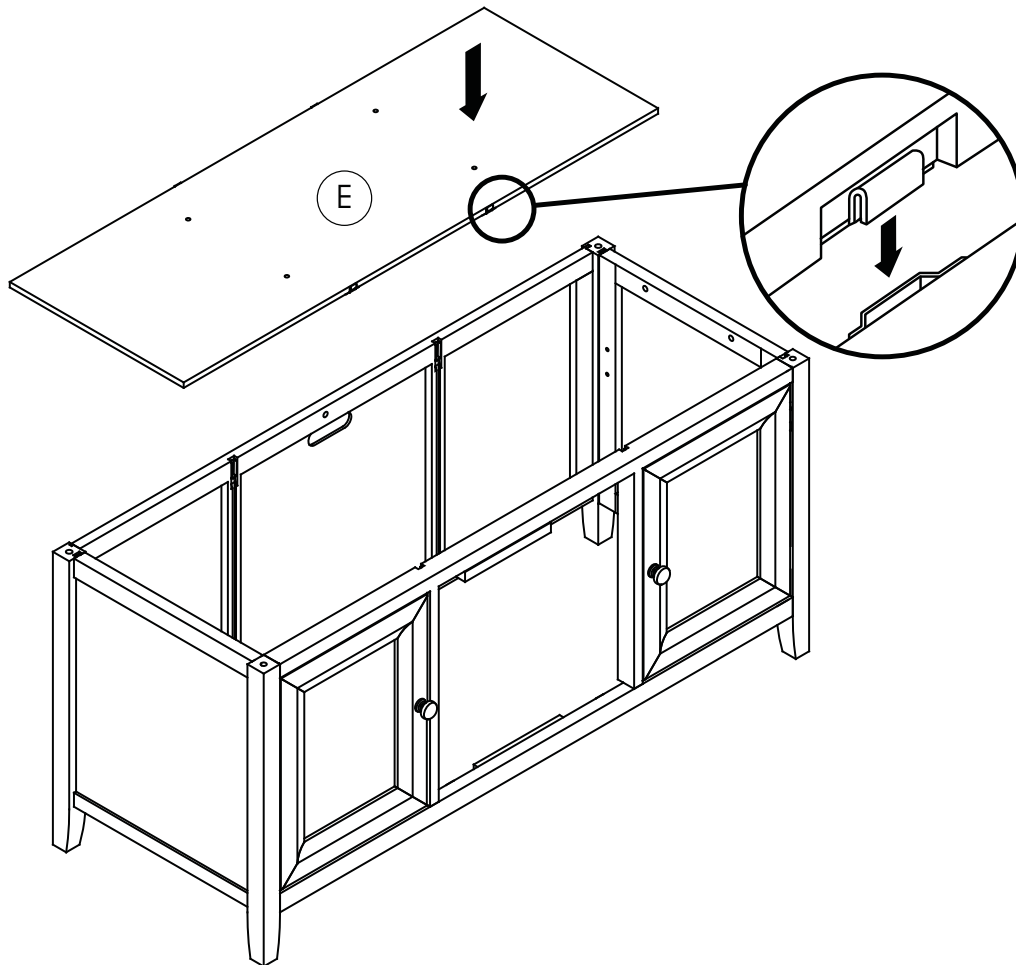
Step 2: Attach Front Panel



1. Place brackets on side panels (C) into slots on front panel (A).
2. If necessary, position the wood block over the joints of panels and gently tap with a mallet or hammer until all edges of panels are even and securely in place.
3. Select wood or metal knobs (4) or (5) and screw into doors.

NEED HELP? For help with assembly or if you are missing a part, please call the **Sauder Woodworking Co.** 1-800-523-3987 (7 a.m. to 5 p.m. PST).

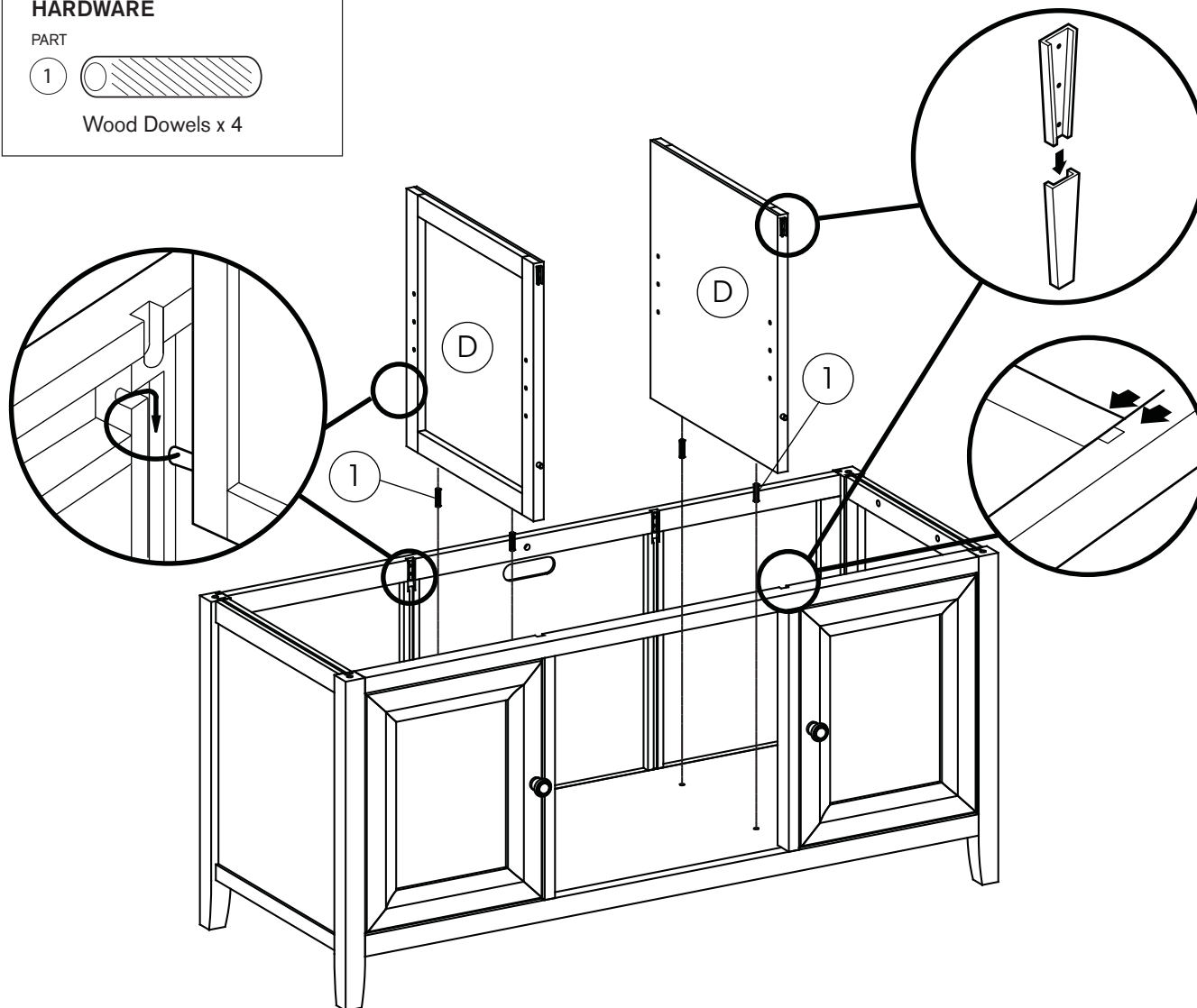
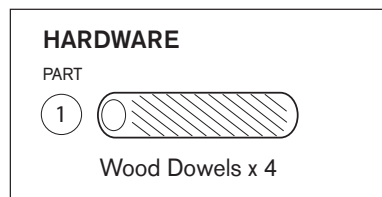
Step 3: Place Bottom Shelf in TV Stand



1. Place the bottom shelf (E) inside the TV stand. Make sure that the shelf's hooks fit securely into the attached bracket.

NEED HELP? For help with assembly or if you are missing a part, please call the **Sauder Woodworking Co.** 1-800-523-3987 (7 a.m. to 5 p.m. PST).

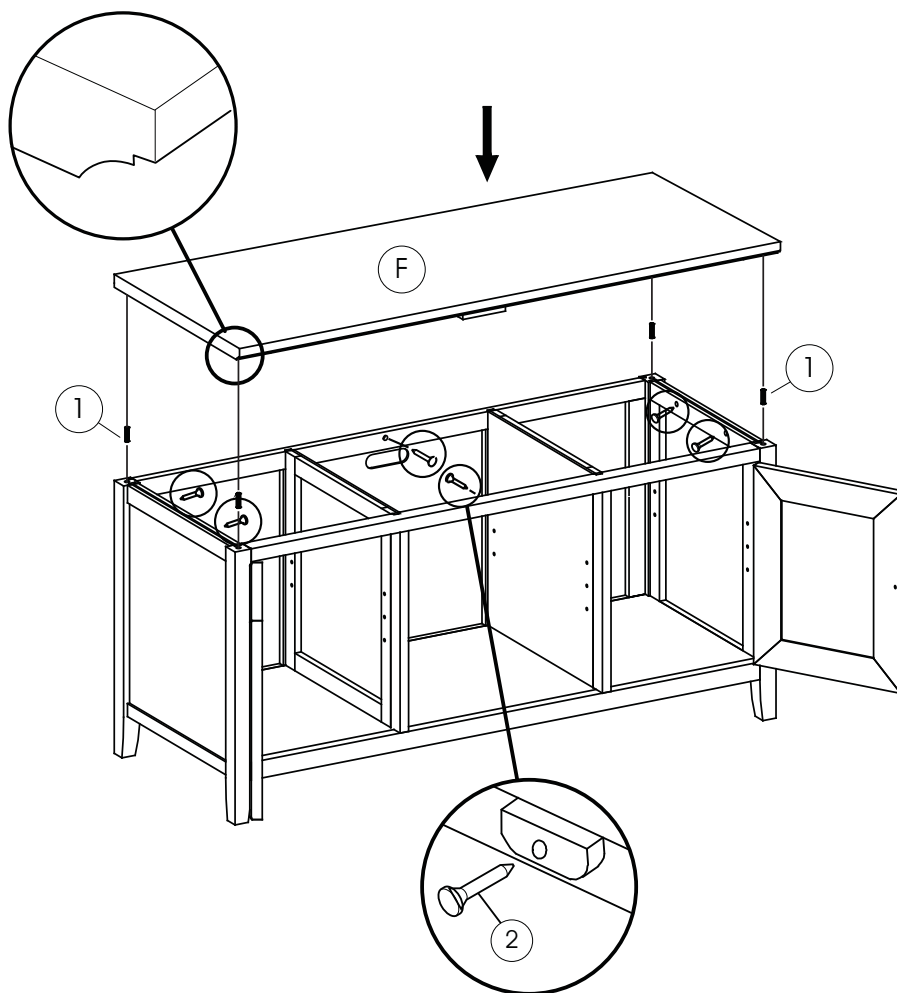
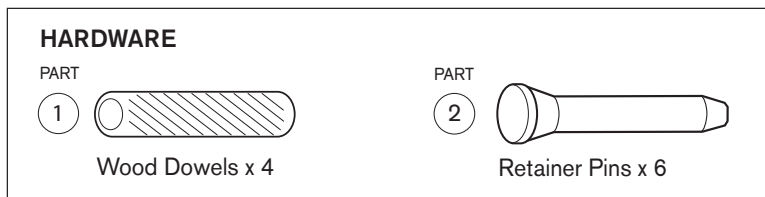
Step 4: Attach Dividers



1. Insert a wood dowel ① into each of the four holes in the bottom shelf.
2. Guide retractable pins into grooves in front and rear panels.
3. Place brackets on dividers ② into slots in front and rear panels.
4. Push dividers down onto dowels. If necessary, gently tap pins with a mallet or hammer (cushioned with a wood block) until the edges of the panel are even.

NEED HELP? For help with assembly or if you are missing a part, please call the **Sauder Woodworking Co.** 1-800-523-3987 (7 a.m. to 5 p.m. PST).

Step 5: Add Top Panel

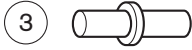
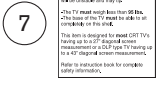


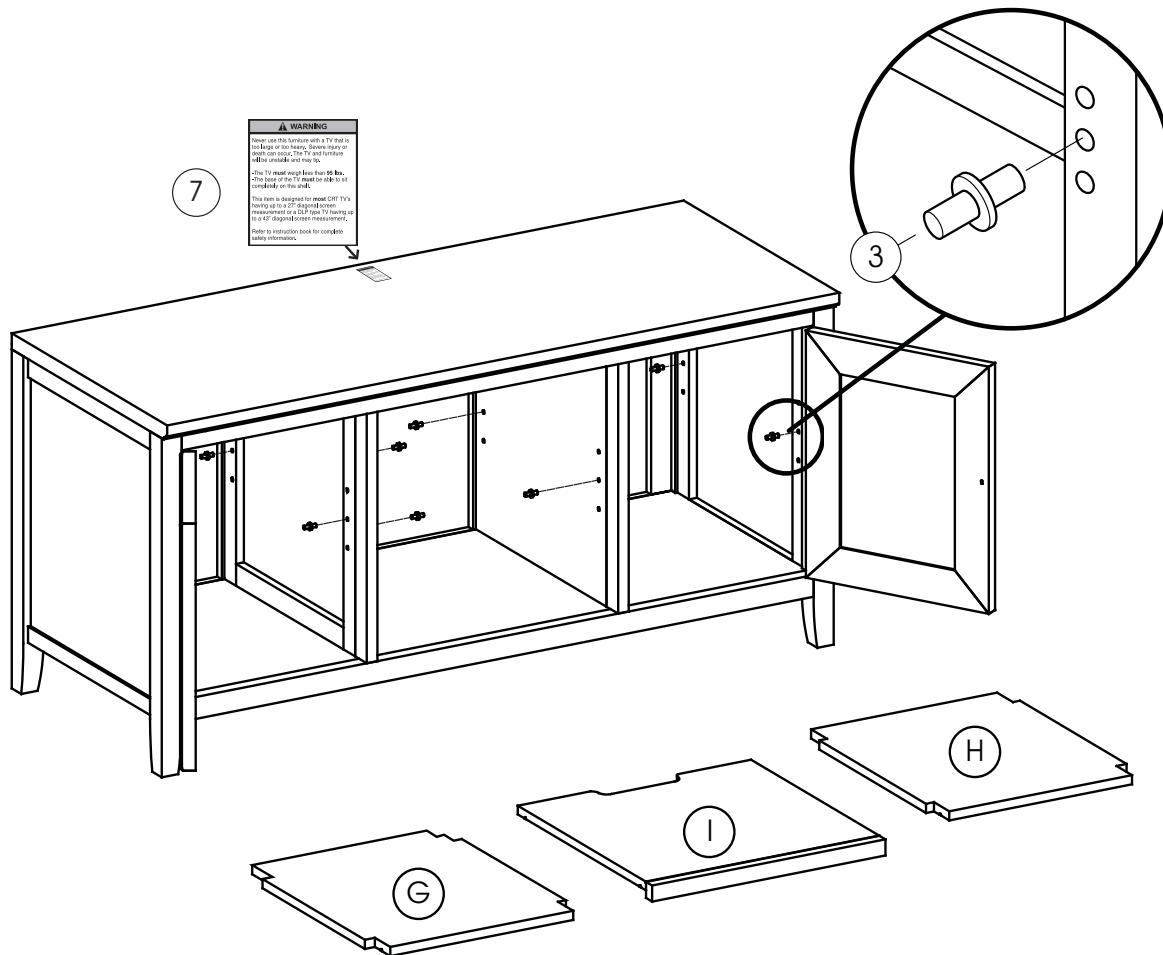
1. Insert a wood dowel (1) into each of the four holes in the front and rear panels.
2. Place top panel (F) onto the wood dowels and secure using eight retainer pins (2).
If necessary, gently tap pins with a mallet or hammer until the top panel is secure.

NEED HELP? For help with assembly or if you are missing a part, please call the **Sauder Woodworking Co.** 1-800-523-3987 (7 a.m. to 5 p.m. PST).

Step 6: Add the Side and Center Shelves

(Hooray! You're almost done!)

HARDWARE	
PART	
 <p>3 Shelf Pins x 12</p>	 <p>7 Warning Label x 1</p>



1. Insert the shelf pins **3** into the holes located on the inside of the dividers.
2. Place the side and center shelves **G** and **H** onto pins.
3. Place warning label **7** onto top panel (this will be a permanent location and should not be removed).

NEED HELP? For help with assembly or if you are missing a part, please call the **Sauder Woodworking Co.** 1-800-523-3987 (7 a.m. to 5 p.m. PST).

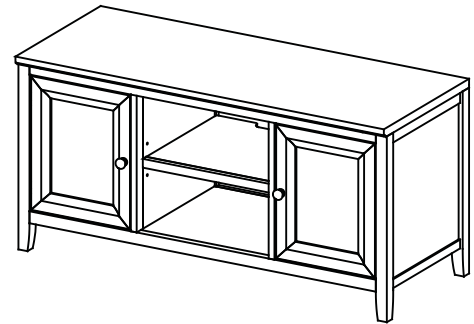
Safety Precautions

Please review the following safety precautions to prevent personal injury or damage to the furniture.

Warning: This TV stand can hold a maximum weight of 95 lbs. Do not exceed the maximum weight limit because it can damage the furniture and cause it to tip over.

For Your Child's Safety:

- Do not allow your children to climb or jump on furniture due to possible accident, injury or death.
- A child climbing on a piece of furniture can make it top-heavy and cause the furniture to tip over.



Bulky and Heavy Items:

- Use your TV stand appropriately. Do not overload shelves as it could cause personal injury or damage to the furniture.
- Never move or push heavy furniture by yourself because it can cause the furniture to tip over. Ask a friend to help you lift the furniture and set it in an appropriate place.

TV Safety:

- This item is designed for most CRT TV's having up to a 27" diagonal screen measurement or a DLP type TV having up to a 43" diagonal screen measurement, and both must weigh less than 95 lbs.
- Placing a TV that is too large or heavy on this TV stand is hazardous. Severe injury or death can occur if the TV and furniture combination is unstable.
- Check the size and weight of your TV to make sure that the base of the TV fits correctly on the base of the TV stand.
- The TV base should never extend past the edge of the TV shelf (picture tube cone may extend past the shelf).
- Never allow children to climb on or play with heavy furniture and TV sets.
- Please monitor your child's activities when playing near the TV and don't place toys, food or other items that a child might reach for near the TV.

A child playing near a TV can become excited while watching a program and potentially pull a TV over or push the TV monitor and be seriously injured.

Cleaning and Care for Your Canopy Furniture

- Use products specifically made for cleaning wood.
- Dust frequently with a soft dry cloth in the direction of the grain.
- Use a wood conditioning cleaner that does not contain waxes or silicones (test the product in an unseen location first).
- Clean spills immediately with a soft, damp cloth.
- Standing water can cause white spots on the wood finish.
- Chemicals such as alcohol, perfume, and medicines can cause severe damage to the wood finish.
- Protect the wood by using coasters.
- Use a protective pad when using your furniture as a desk or writing surface (especially when using a ballpoint pen).
- Do not expose wood furniture to direct sunlight, drying heat sources or dampness.

NEED HELP? For help with assembly or if you are missing a part, please call the **Sauder Woodworking Co.** 1-800-523-3987 (7 a.m. to 5 p.m. PST).

LIMITED 1-YEAR WARRANTY

1. Sauder® furniture is warranted by Sauder Woodworking Co. (Sauder) to the original purchaser for a period of one year from the date of purchase against defects in the material or workmanship of furniture components. As used in this Warranty, “defects” mean imperfections in components, which substantially impair the utility of the product.
2. Under this Warranty, Sauder will (at its sole option) repair or replace a defective furniture component. As a condition of furnishing a replacement component claimed to be defective, Sauder may require independent confirmation of the claimed defect. Replacement parts will be warranted for only the remaining period of the original Warranty. This Warranty does not cover the cost of assembly or disassembly, transportation, labor, or any other incidental costs involved in the removal of a defective part or the installation of the replacement part.
3. This Warranty applies under conditions of normal use only. This Warranty does not apply to defects that result from accident, misuse or abuse, intentional damage, fire, flood, alteration or modification of the product, negligence, exposure, or use of the product in a manner inconsistent with its intended use. Sauder shall not be liable for any expense to repair or replace any item placed on, in, or around any Sauder furniture product.
4. This Warranty applies only as long as the product continues to be held for use by the original purchaser. The Warranty cannot be transferred to subsequent owners or users of the product, and it shall be immediately invalidated in the event that the product is resold, transferred, leased or rented to any third party or person other than the original purchaser.
5. THERE ARE NO OTHER EXPRESS WARRANTIES OTHER THAN AS SET FORTH ABOVE. FURTHERMORE, NO IMPLIED WARRANTY, INCLUDING, BUT NOT LIMITED TO, ANY IMPLIED WARRANTY OF MERCHANTABILITY OR FITNESS FOR A PARTICULAR PURPOSE, SHALL EXTEND BEYOND THE TERM OF THIS EXPRESS WARRANTY. Some states do not allow limitations on how long an implied warranty lasts, so the above limitation may not apply to you. SAUDER SHALL HAVE NO LIABILITY TO ANY PERSON FOR LOST PROFITS OR FOR ANY SPECIAL, CONSEQUENTIAL, INDIRECT, EXEMPLARY OR INCIDENTAL DAMAGES OF ANY KIND WHETHER ARISING IN CONTRACT, TORT, PRODUCT LIABILITY OR OTHERWISE. Some states do not allow the exclusion or limitation of incidental or consequential damages, so the above limitation or exclusion may not apply to you. This warranty gives you specific legal rights, and you may also have other rights which vary from state to state. Outside the USA, specific legal rights may vary depending on the country of residence of the original purchaser.
6. For warranty inquiries or claims, you may contact Sauder at 1-800-523-3987, e-mail us at www.sauder.com, or fax us at 419-446-3444. Sauder may require warranty claims to be submitted in writing to Sauder Woodworking Co., 502 Middle Street, Archbold, OH 43502 USA. Please include your sales receipt or other proof of purchase and a specific description of the product defect.