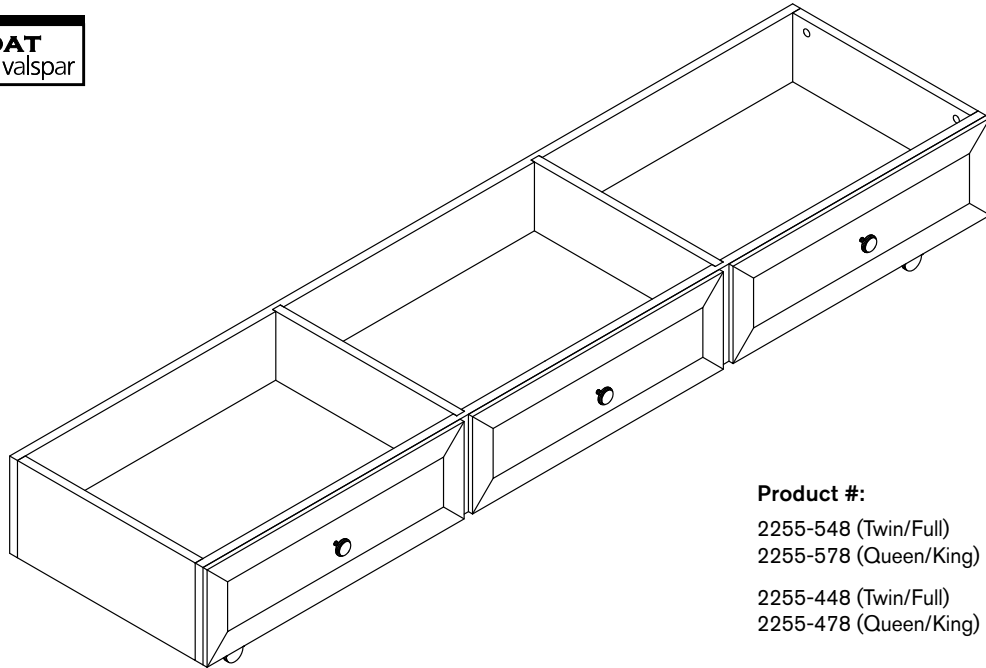


## Your Super Simple Guide to Setting Up Your **Canopy™ Classic Under-Bed Storage Box**



**Product #:**

2255-548 (Twin/Full)

2255-578 (Queen/King) Chestnut Finish

2255-448 (Twin/Full)

2255-478 (Queen/King) Mahogany Finish

### About Canopy™ Furniture

Decorating your home should be fun and easy. The classic styles of the Canopy™ Cornerstone Collection are designed to work beautifully together and fit right in with your existing furniture.

**Here for the Long Haul.** Every piece in the Canopy Cornerstone Collection is built of solid birch hardwood and genuine birch veneer, a construction that increases the furniture's strength and durability.

**Stands Up to Real Life.** A multi-step finishing process adds depth and clarity to the wood. For added strength, we finish each piece with a topcoat of HardCoat, made for us by Valspar, a leader in coatings for fine furniture.

**No worries.** Sticky fingers, doggie drool, spilled milk. Life can get messy. Canopy furniture is built to stand up to nearly everything a busy household throws at it.

**Works hard.** Canopy furniture works as hard as you do. Many of the pieces in our collection can multi-task from room-to-room to adapt to the changing needs of your home (or follow the whims of new design and decorating ideas).

The Canopy team would like to thank you for your purchase. Inspired by real life, Canopy furniture will be welcome in your home for years to come. So put your feet up and relax!

This set-up guide contains **important** safety information; please read and keep it for future reference.

# Canopy **Classic Under-Bed Storage Box**



## Get Ready!

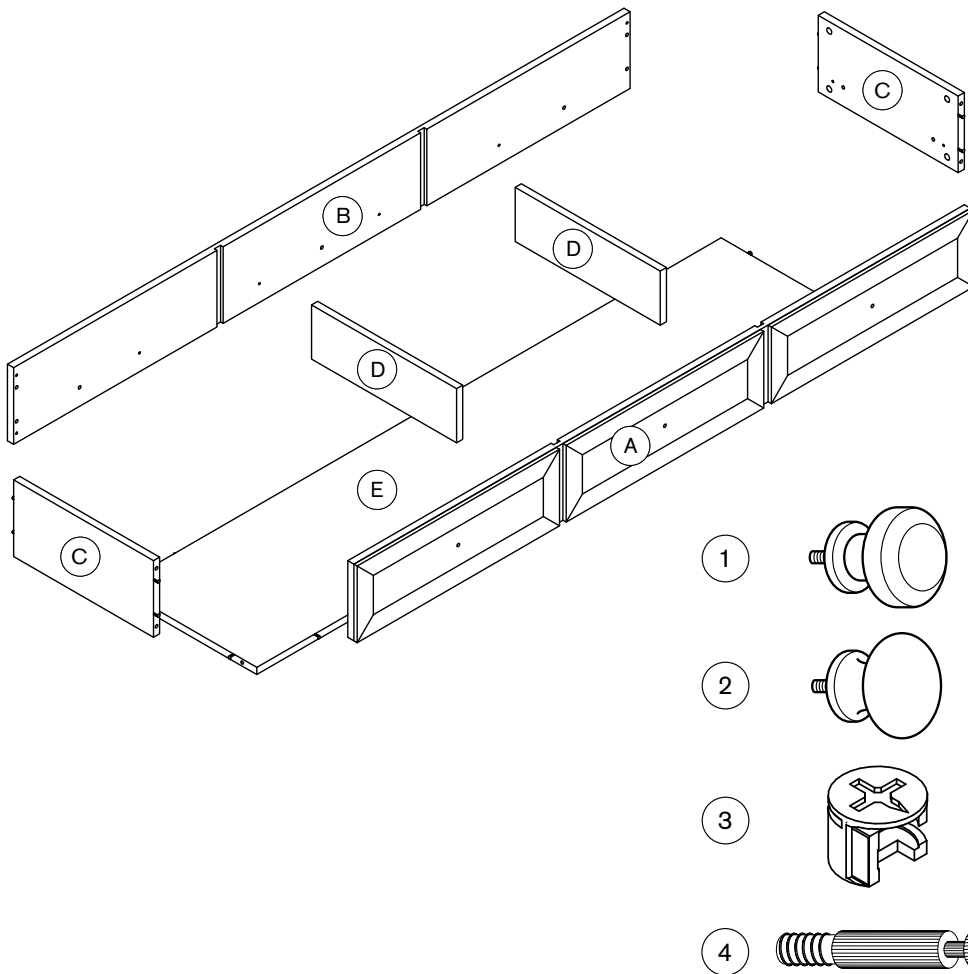
We assembled every piece of furniture ourselves to make sure it's truly easy.

- We recommend two people to assemble this item – so grab a friend to help!
- Please read all the instructions before starting.
- Before you start, carefully unpack and identify each component and piece of hardware to make sure you have everything you need for assembly. Lay out each part on a soft, uncluttered surface.



**Warning:** Includes small parts with sharp edges that could be hazardous to children.

## Classic Under-Bed Storage Box Parts



COMPONENTS		
PART		QTY
(A)	Front Panel	1
(B)	Back Panel	1
(C)	End Panel	2
(D)	Partition Panel	2
(E)	Bottom Panel	1

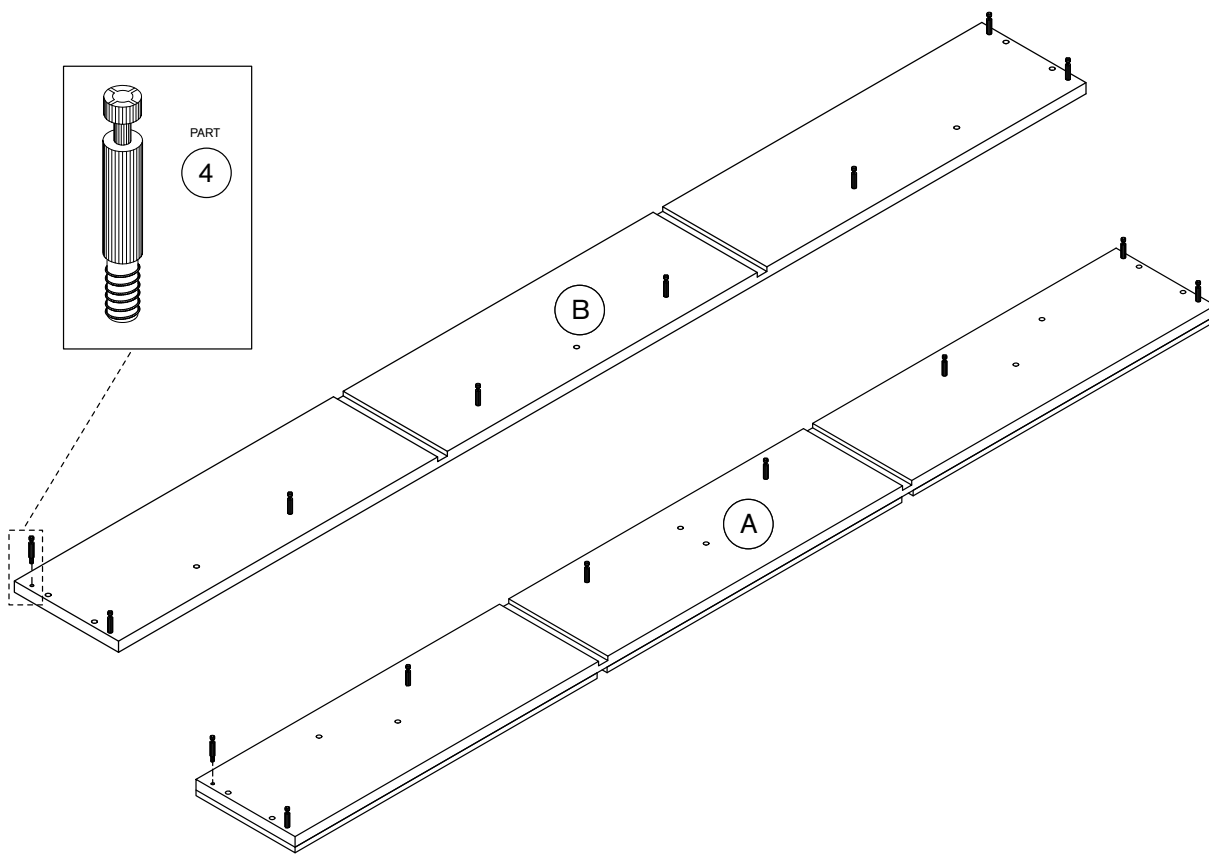
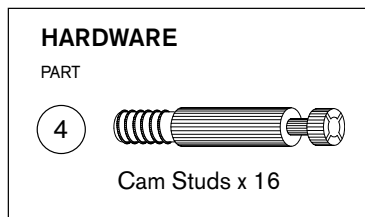
  

HARDWARE		
PART		QTY
(1)	Metal Knobs	3
(2)	Wood Knobs	3
(3)	Cam Housings	20
(4)	Cam Studs	20
(5)	Casters	4
(6)	Wood Screws	16

**NEED HELP?** For help with assembly, or if you are missing a part, please call **Creative interior's** Support line, 1-800-782-3876 (1-800-RTA-FURN) between 8 a.m. and 9 p.m. (Eastern Time) Monday through Friday, or between 9 a.m. and 5 p.m. (Eastern Time) Saturday. Or email: [CSupport@thomasville.com](mailto:CSupport@thomasville.com). Have the product style number, the name of the missing part, and the 1" x 3-1/2" date-code sticker found on the side of the box handy when you call.

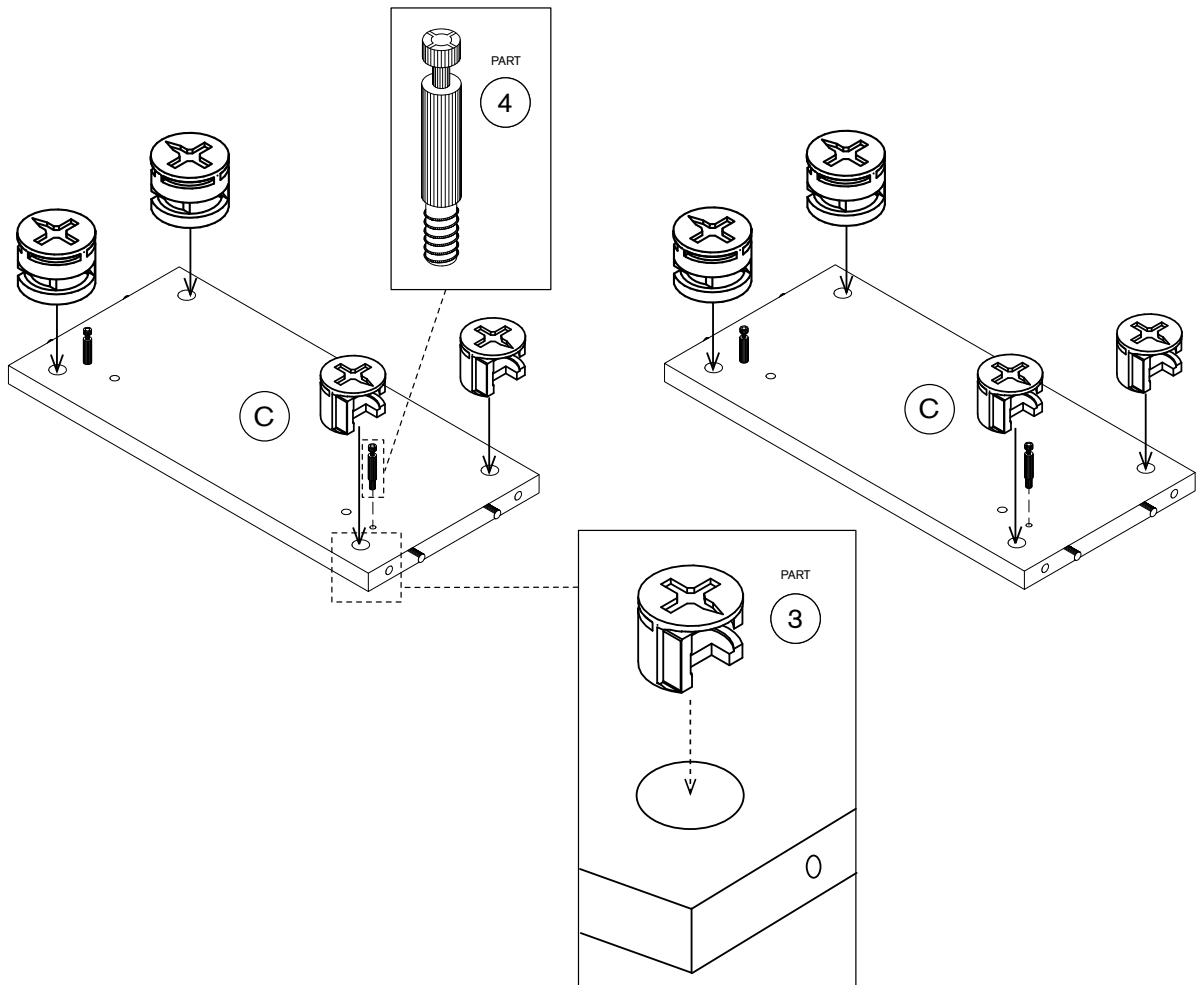
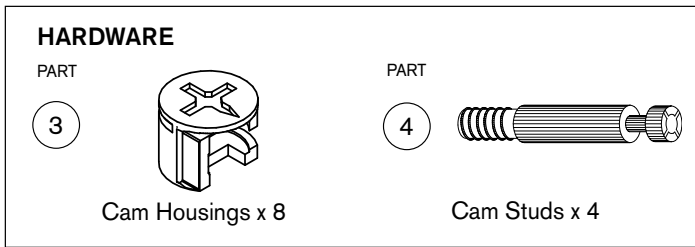
For returns, visit [www.walmart.com](http://www.walmart.com) and follow the steps to return a product. You can also download assembly instructions at [www.walmart.com/canopy](http://www.walmart.com/canopy).

## Step 1: Prepare Front Panel and Back Panel



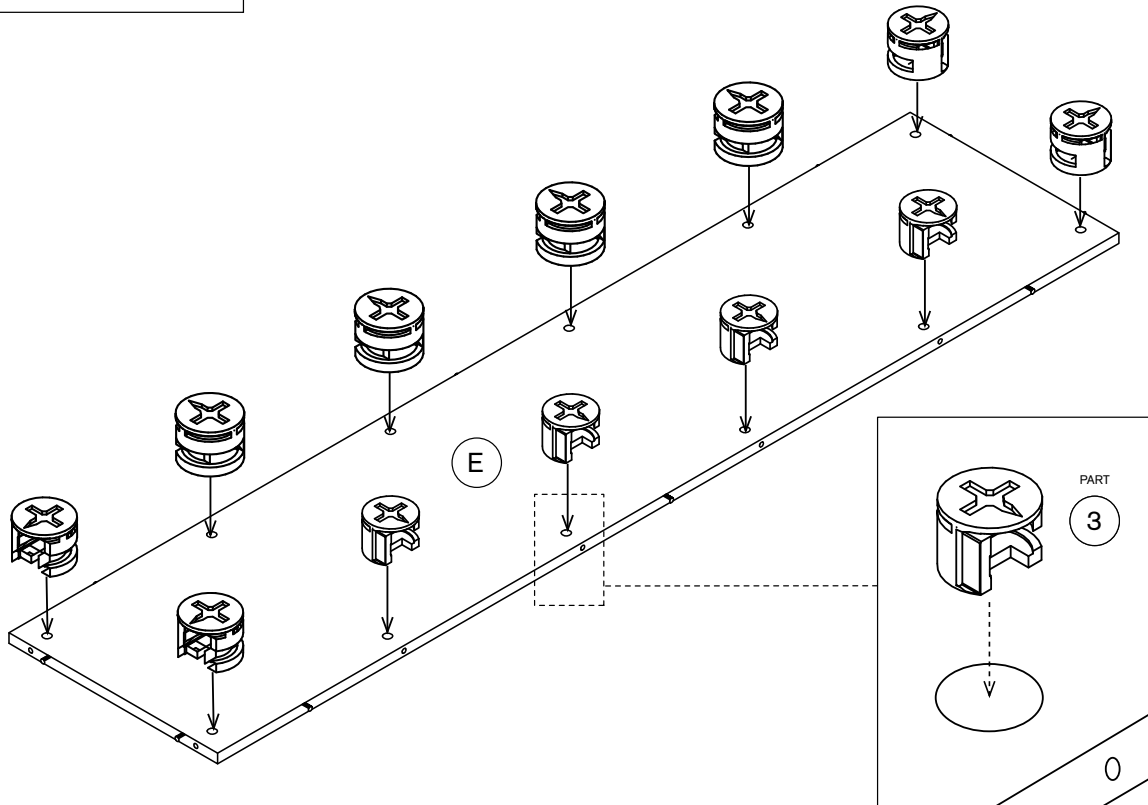
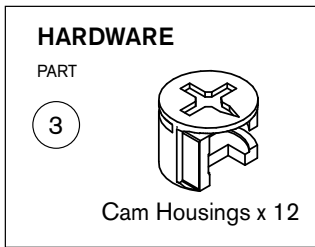
1. Screw 16 cam studs (4) into front panel (A) and back panel (B) as shown in diagram.

## Step 2: Prepare End Panels



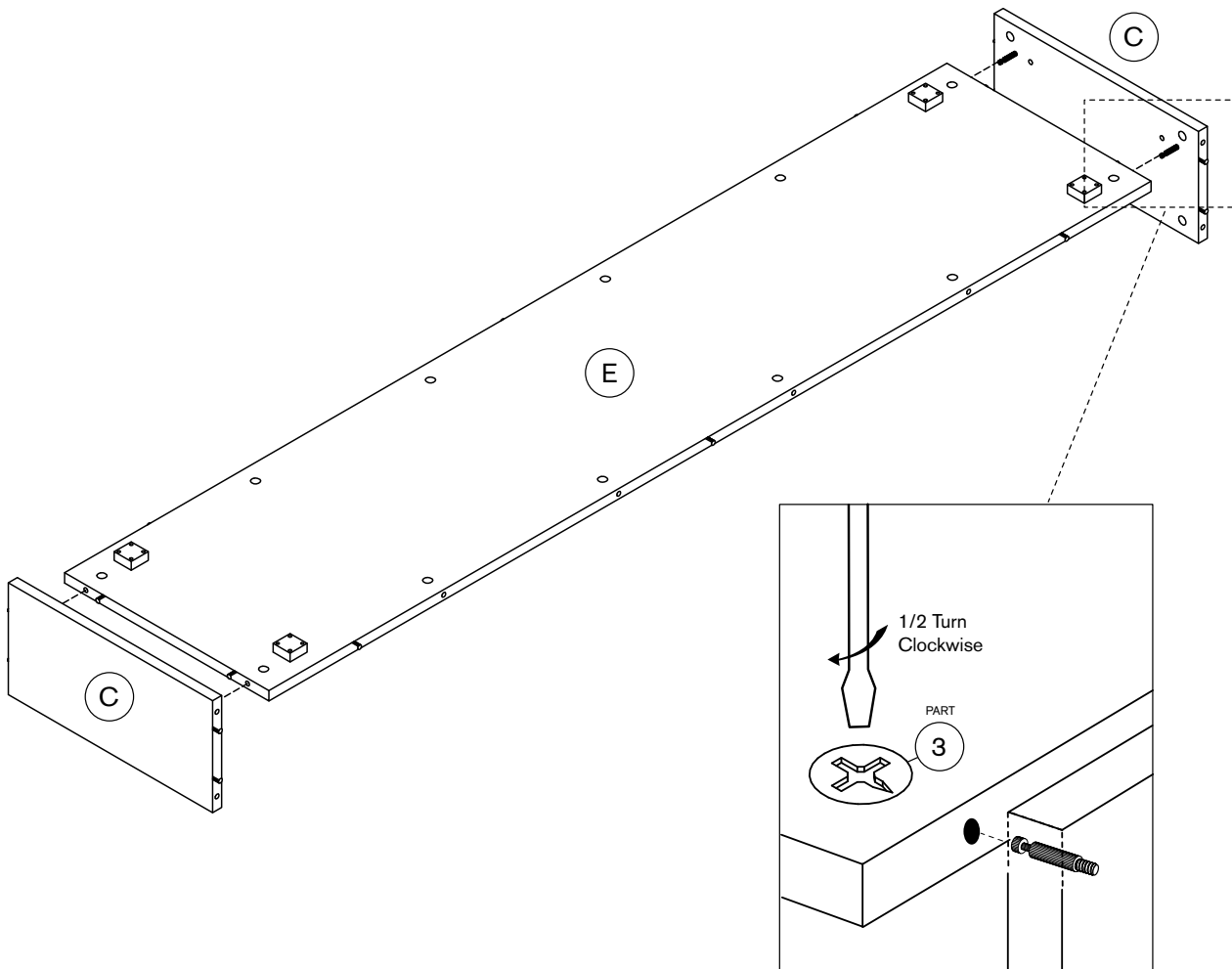
1. Insert eight cam housings (3) into the holes in both end panels (C) as shown in illustration.  
(Hint: Make sure the arrow in each cam housing is facing the hole in the edge of the panel.)
2. Screw four cam studs (4) into end panels, as shown in diagram.

## Step 3: Prepare Bottom Panel



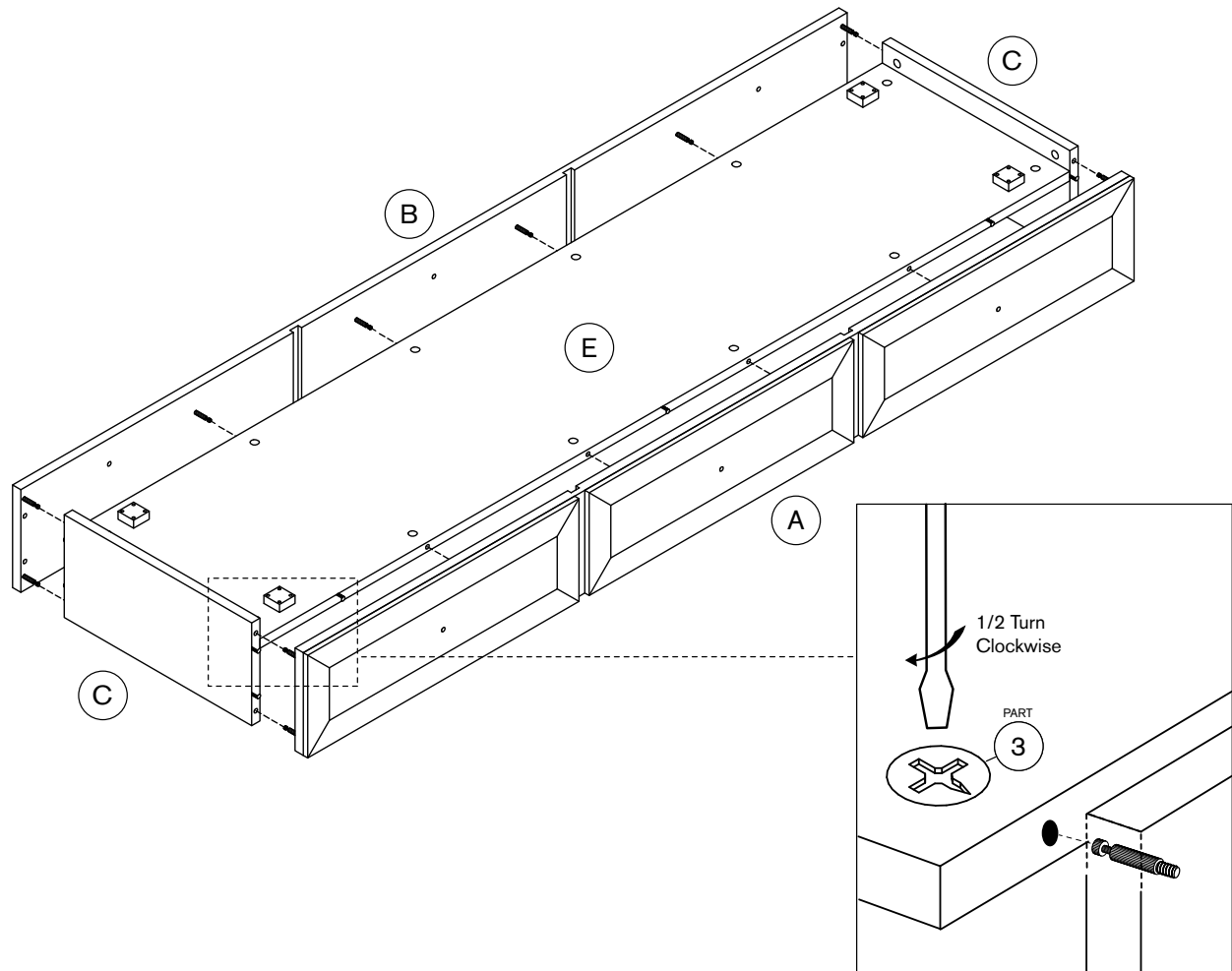
1. Insert 12 cam housings ③ into the holes in bottom panel ⑤ as shown in illustration.  
(Hint: Make sure the arrow in each cam housing is facing the hole in the edge of the panel.)

## Step 4: Attach End Panels



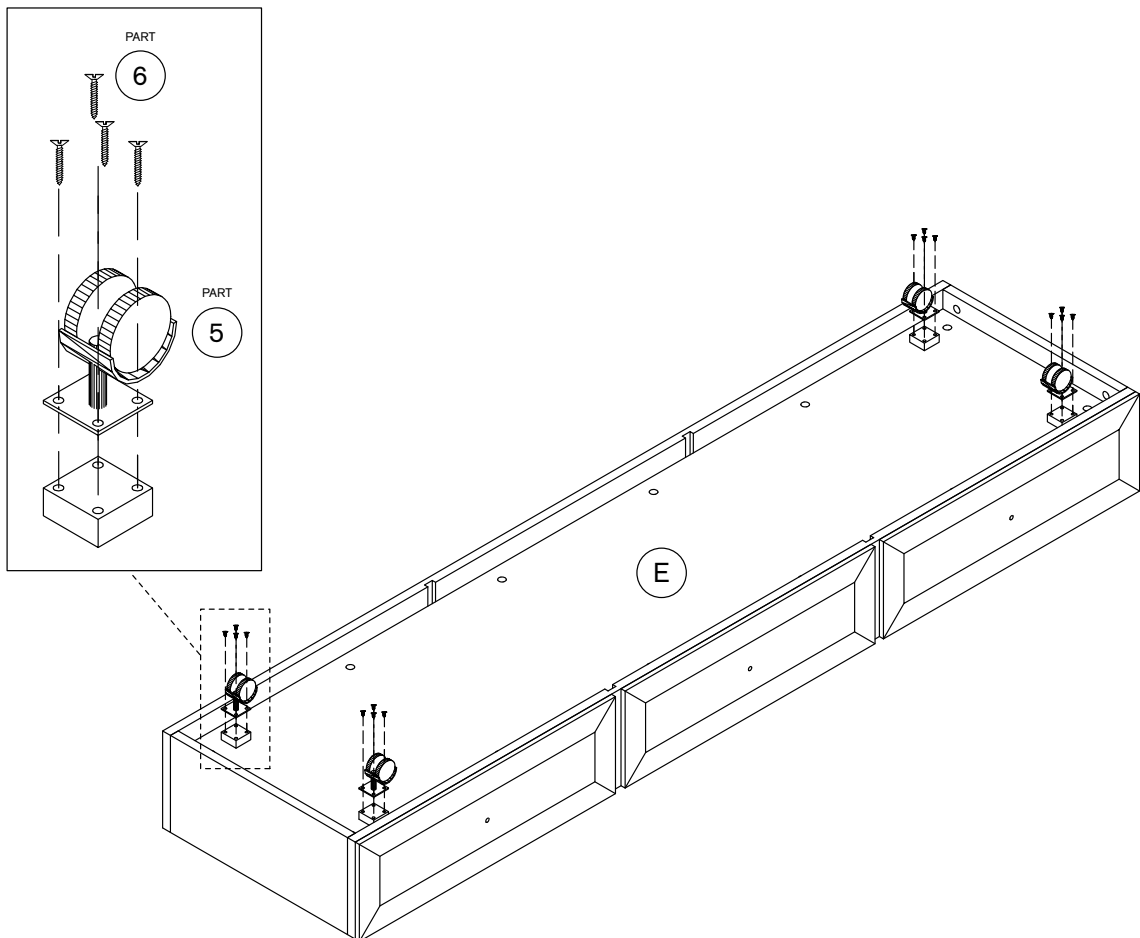
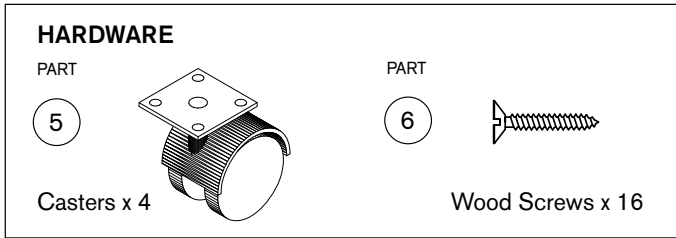
1. Align end panels (C) with bottom panel (E) as shown in diagram. Align cam studs in end panels with cam housings in bottom panel, and press end panels into position.
2. Tighten cam housings (3) with a flat-head screwdriver, turning clockwise 1/2 turn until snug. Do not overtighten.

## Step 5: Attach Front and Back Panels



1. Align front panel (A) and back panel (B) with end panels (C) and bottom panel (E) as shown in diagram. Align cam studs in front and back panels with cam housings in bottom panel and end panels, and press front and back panels into position.
2. Tighten cam housings (3) with a flat-head screwdriver, turning clockwise 1/2 turn until snug. Do not overtighten.

## Step 6: Attach Casters to Bottom Panel

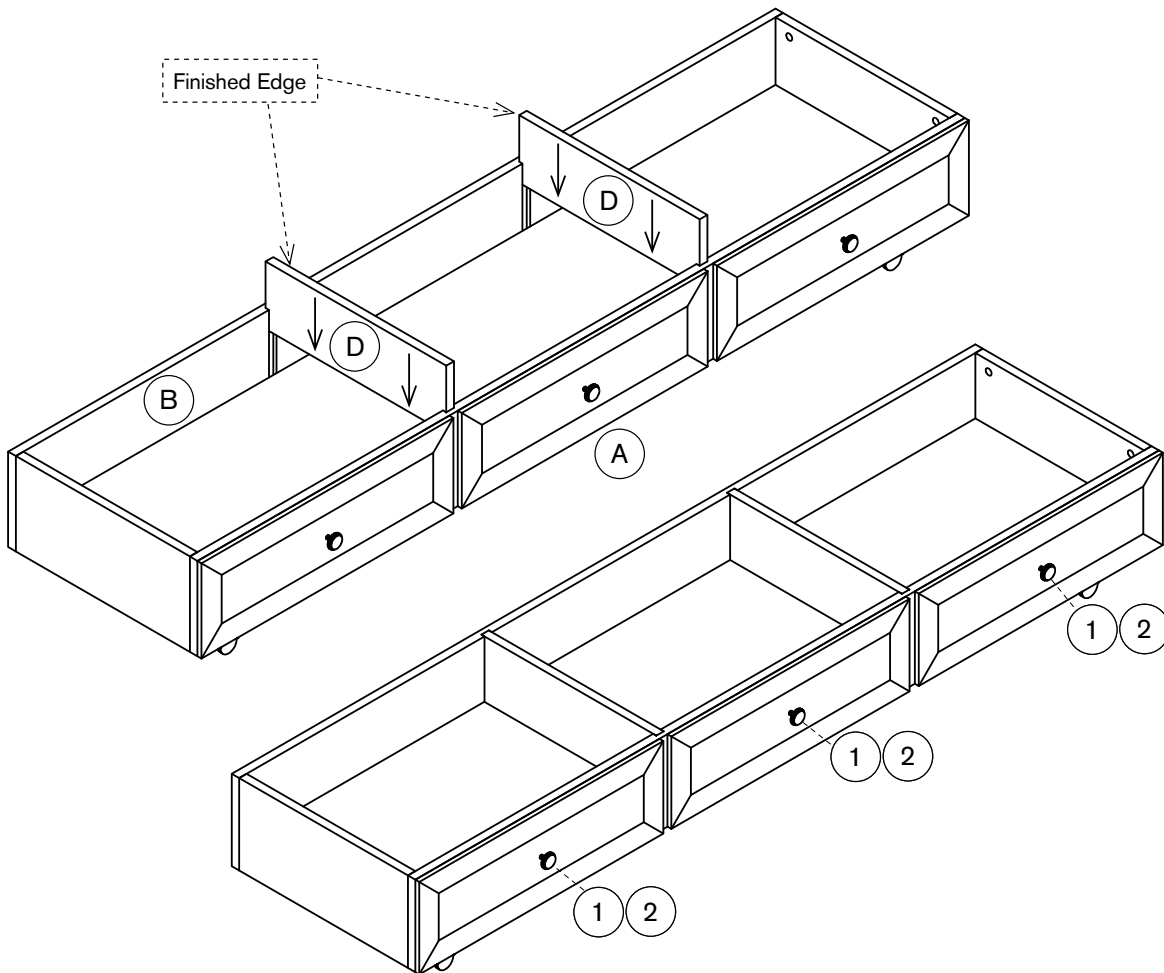
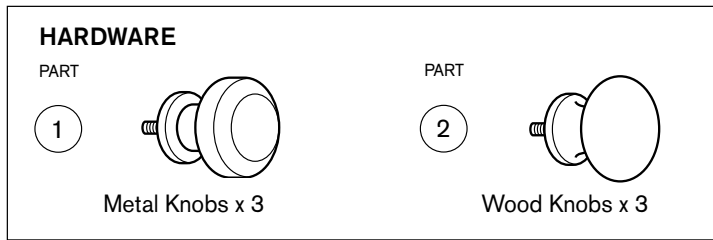


1. Turn Storage Box upside-down.
2. Attach four casters (5) to the bottom panel (E) as shown in diagram.
3. Using 16 wood screws (6) and a phillips-head screwdriver, screw down casters.

# Canopy **Classic Under-Bed Storage Box**



## Step 7: Insert Partition Panels and Attach Knobs (Hooray! You're almost done!)

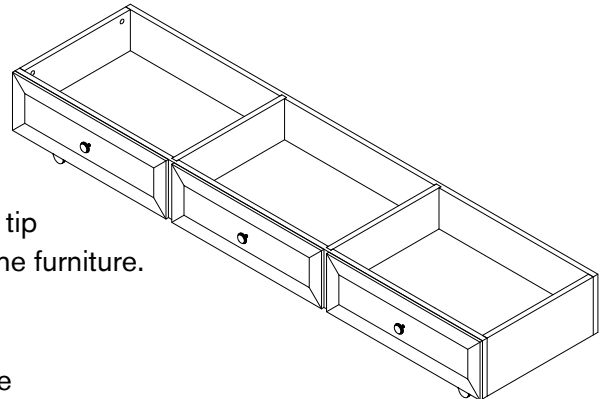


1. Turn Storage Box right-side up.
2. Slide partition panels (D) into the slots in the front (A) and back (B) panels.
3. Attach either metal (1) or wood (2) knobs to the front panel of the Storage Box.

## Safety Precautions

Please review the following safety precautions:

**! Warning:** This Classic Under-Bed Storage Box is designed to hold a maximum weight of 15 lbs. Do not exceed the maximum weight limit, or the storage box can tip over or collapse, causing personal injury and damaging the furniture.



### For Your Child's Safety:

- Do not allow your children to climb or jump on furniture due to possible accident, injury or death.
- A child climbing on a piece of furniture can make it top-heavy and cause the furniture to tip over.

### Bulky and Heavy Items:

- Never move or push heavy furniture by yourself because it can tip over. Ask a friend to help you lift and move the furniture before setting it in an appropriate place.

---

## Cleaning and Care for Your Canopy Furniture

- Use products specifically made for cleaning wood.
- Dust frequently with a soft dry cloth in the direction of the grain.
- Use a wood conditioning cleaner that does not contain waxes or silicones (test the product in an unseen location first).
- Clean spills immediately with a soft, damp cloth.
- Standing water can cause white spots on the wood finish.
- Chemicals such as alcohol, perfume, and medicines can cause severe damage to the wood finish.
- Do not expose wood furniture to direct sunlight, drying heat sources or dampness.

## WARRANTY INFORMATION

### One Year Limited Warranty

We warrant to you, the original purchaser, that for the stated Warranty Term, we will repair or replace any piece of furniture which is defective in materials or workmanship. You should complete and return such warranty registration form as is provided with your furniture to insure the availability of your warranty rights. If we determine that repair is impractical you will be furnished a substitute unit of the same or similar color, design, style and quality. If you make a valid warranty claim during the Warranty Term you will not be charged for any repair services, delivery costs, or replacement furniture.

*THESE ARE YOUR EXCLUSIVE REMEDIES UNDER OUR WARRANTY.*

### Warranty Term

The duration of this limited Warranty to you is a one year Term from the date of original purchase.

### Limitations and Exclusions

While we believe our Warranty is a good one, there are some limits to it.

*ALL OF FOLLOWING THINGS REDUCE OUR RESPONSIBILITY UNDER THIS WARRANTY.*

### Implied Warranties

*WE MAKE NO IMPLIED WARRANTIES OF MERCHANTABILITY OF FITNESS FOR A PARTICULAR PURPOSE. THESE AND ALL OTHER IMPLIED WARRANTIES ARE SPECIFICALLY DISCLAIMED.*

By "Implied Warranties" we mean Warranties that the law sometimes implies to have been given by the seller even though they are not set out in writing. (Some states do not allow an exclusion or limitation on how long an implied Warranty lasts, so the above limitation or exclusion may not apply to you.)

### Place of Purchase

This Warranty protects you only when you purchase furniture from an authorized retailer in the United States, Canada or Mexico and your furniture can be inspected and returned to the Retailer from whom you purchased it in one of such countries.

### Household Use

This Warranty applies only when you have purchased furniture for your own normal household use (including use as a gift to another for household purposes) and not for resale or commercial use.

### Improper Care and Use

Your furniture requires some routine maintenance. Please take care to treat your furniture like the fine product it is. Keep it clean, dusted and polished as necessary. Proper care and use are essential to preserving your rights under this Warranty. We will not repair or replace your furniture if damaged by use of strong detergents, abrasives or other harsh cleaning agents. Also, this Warranty does not cover defects in Easy to Assemble furniture where assembly is not in strict compliance with our instructions.

### Accidents, Abuse and Normal Wear and Tear

This Warranty does not cover damage resulting from negligence, abuse, normal wear and tear, or accidents including burns, cuts, scratches, tears, scuffs, watermarks or indentations.

### Differences from Floor Samples or Literature

Because of craftsmanship or use of natural materials in furniture, minor variations can occur from piece to piece. Therefore, this Warranty does not cover such minor differences, or differences between floor samples or printed illustrations and your furniture.

### Consequential or Incidental Damages

*WE WILL NOT BE LIABLE FOR CONSEQUENTIAL OR INCIDENTAL DAMAGES.* By this, we mean any loss, expense, or damage other than to the furniture itself that may result from a defect in the furniture itself that may result from a defect in the furniture. (Some states do not allow the exclusion or limitation of incidental or consequential damages so the above limitation or exclusion may not apply to you.)

### Your Warranty Rights

This Warranty gives you specific legal rights, and you may also have other rights which vary from State to State. Except for such other rights, the remedies provided under this Warranty state the limit of our responsibilities. This Warranty becomes effective with products delivered on or after September 1, 2005.