

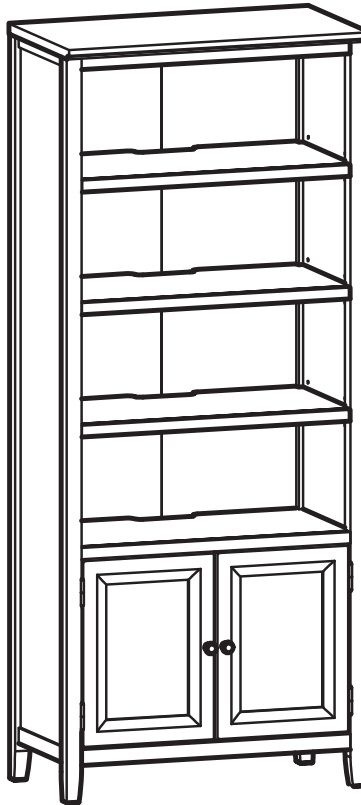
Your Super Simple Guide to Setting Up Your Canopy™ Bookcase

HARDCOAT
Durable Top Coat by valspar

Product Number: NAH1106e

- 402186 Chestnut Finish
- 402711 Mahogany Finish

Lot Number: _____
Date Purchased: ____/____/____



About Canopy™ Furniture

Decorating your home should be fun and easy. The classic styles of the Canopy™ Cornerstone Collection are designed to work beautifully together and fit right in with your existing furniture.

Here for the Long Haul. Every piece in the Canopy Cornerstone Collection is built of solid hardwood and genuine birch veneer, a construction that increases the furniture's strength and durability.

Stands Up to Real Life. A multi-step finishing process adds depth and clarity to the wood. For added strength, we finish each piece with a topcoat of HardCoat, made for us by Valspar, a leader in coatings for fine furniture.

No worries. Sticky fingers, doggie drool, spilled milk. Life can get messy. Canopy furniture is built to stand up to nearly everything a busy household throws at it.

Works hard. Canopy furniture works as hard as you do. Many of the pieces in our collection can multi-task from room-to-room to adapt to the changing needs of your home (or follow the whims of new design and decorating ideas).

The Canopy team would like to thank you for your purchase. Inspired by real life, Canopy furniture will be welcome in your home for years to come. So put your feet up and relax!

This set-up guide contains **important** safety information; please read and keep it for future reference.

NEED HELP? For help with assembly or if you are missing a part, please call the **Sauder Woodworking Co.** 1-800-523-3987 (7 a.m. to 5 p.m. PST).

Canopy Bookcase



Get Ready!

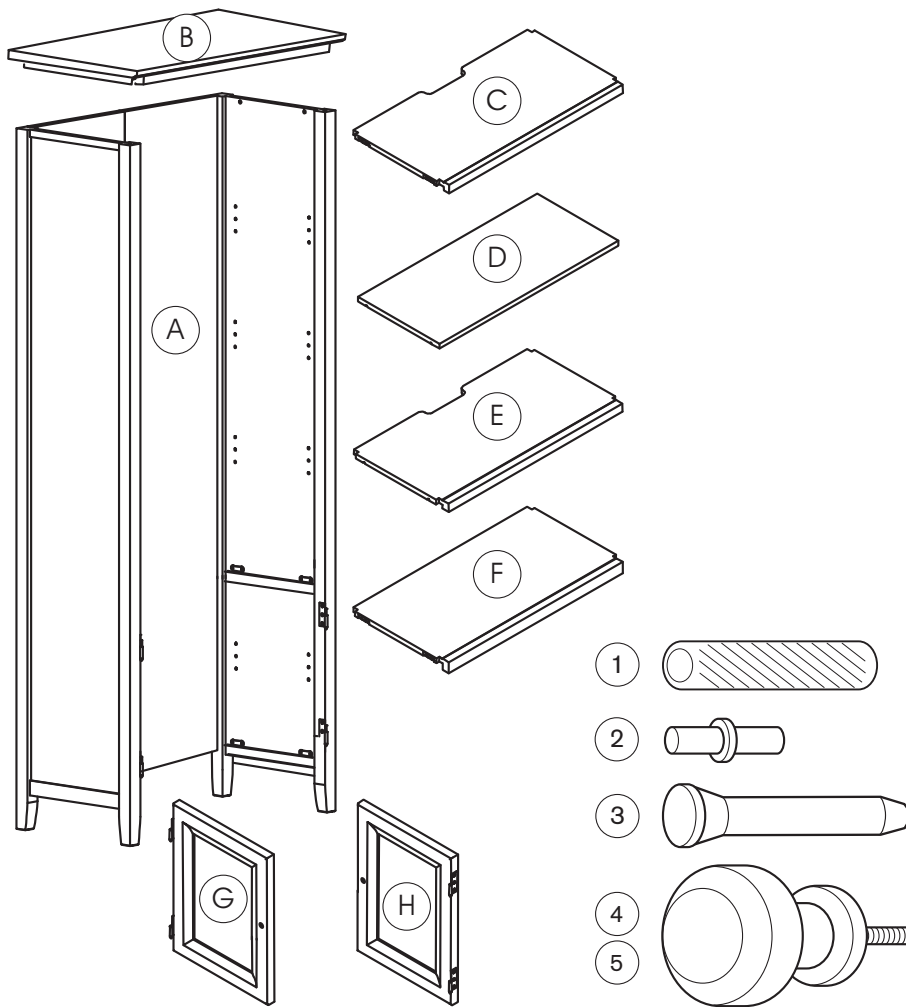
Our furniture uses an innovative, patent-pending, quick assembly method. We tested and assembled every piece ourselves to make sure it's truly easy.

- We recommend two people to assemble this item – so grab a friend to help!
- Please read all the instructions before starting.
- Carefully unpack and identify each part, component, and piece of hardware to make sure you have everything you need for assembly. Lay out each part on a soft, uncluttered surface.



! Important: We suggest you use a rubber mallet, but you can also use a hammer. Either way, cushion the pieces with the included wood block to protect the furniture finish.

Bookcase Parts



COMPONENTS

PART	QTY
(A) Bookcase Frame	1
(B) Top Shelf	1
(C) Upper Adjustable Shelves	3
(D) Lower Adjustable Shelf	1
(E) Middle Shelf	1
(F) Bottom Shelf	1
(G) Left Door	1
(H) Right Door	1

HARDWARE

PART	QTY
(1) Wood Dowels	3
(2) Shelf Pins	16
(3) Retainer Pins	4
(4) (5) Wood and Metal Knobs	2ea.
(6) Wood Block (to protect wood)	1

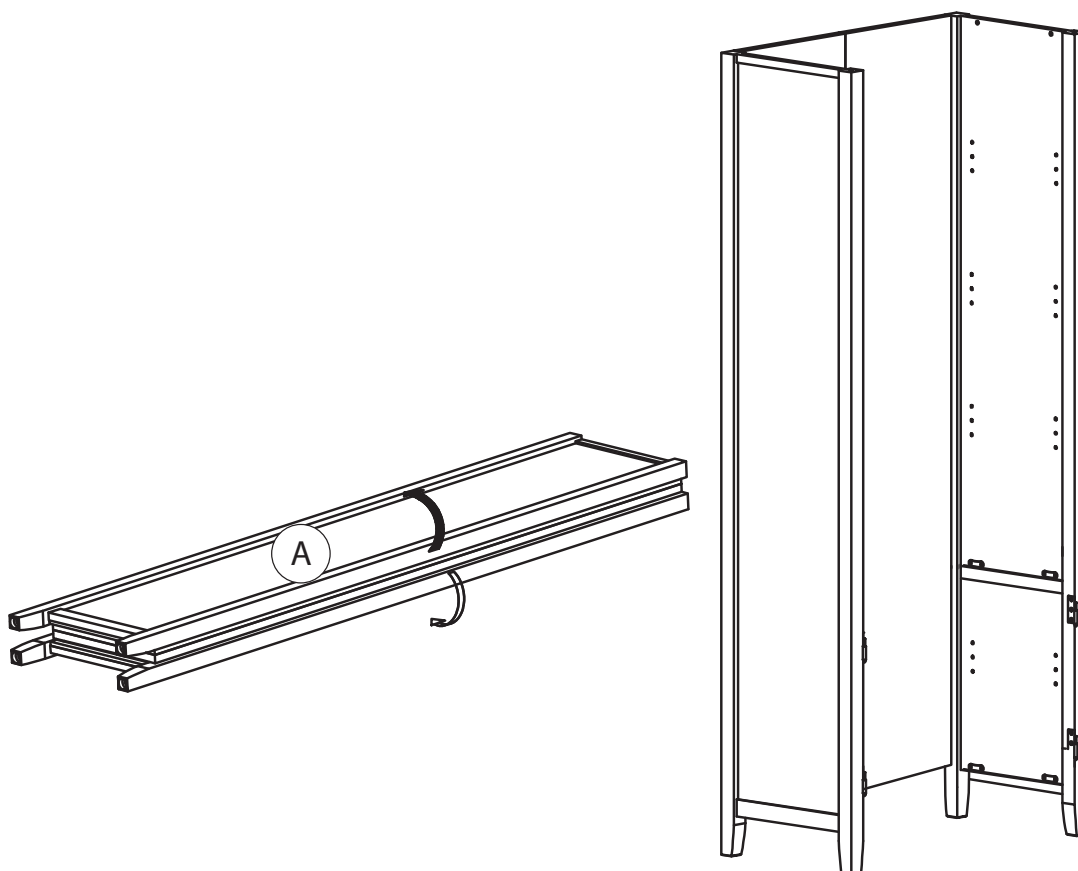
Safety Mount Tool Kit

(see mounting instructions inside packet)



NEED HELP? For help with assembly or if you are missing a part, please call the **Sauder Woodworking Co.** 1-800-523-3987 (7 a.m. to 5 p.m. PST). Make sure you have the name of the missing part so we can replace it quickly. For returns, visit www.walmart.com and follow the steps to return a product. You can also download assembly instructions at www.walmart.com/canopy.

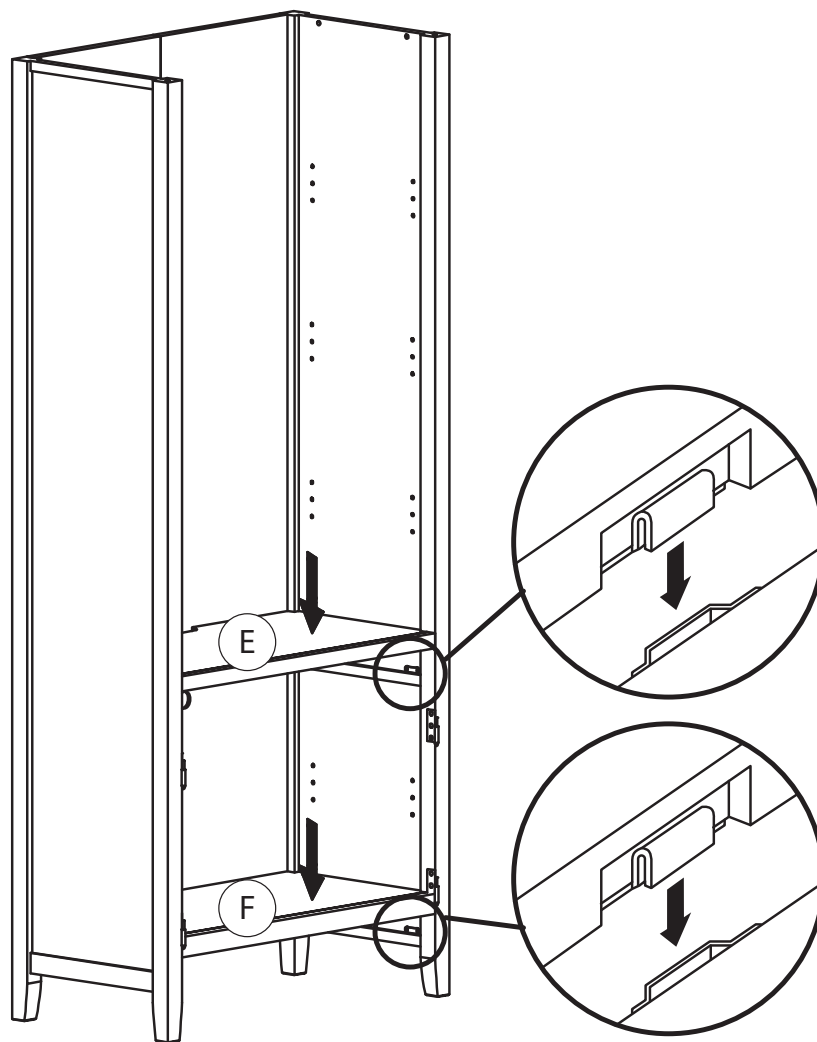
Step 1: Open Bookcase Frame



1. Open bookcase frame (A) by folding out panels.
2. Carefully stand bookcase unit upright.

NEED HELP? For help with assembly or if you are missing a part, please call the **Sauder Woodworking Co.** 1-800-523-3987 (7 a.m. to 5 p.m. PST).

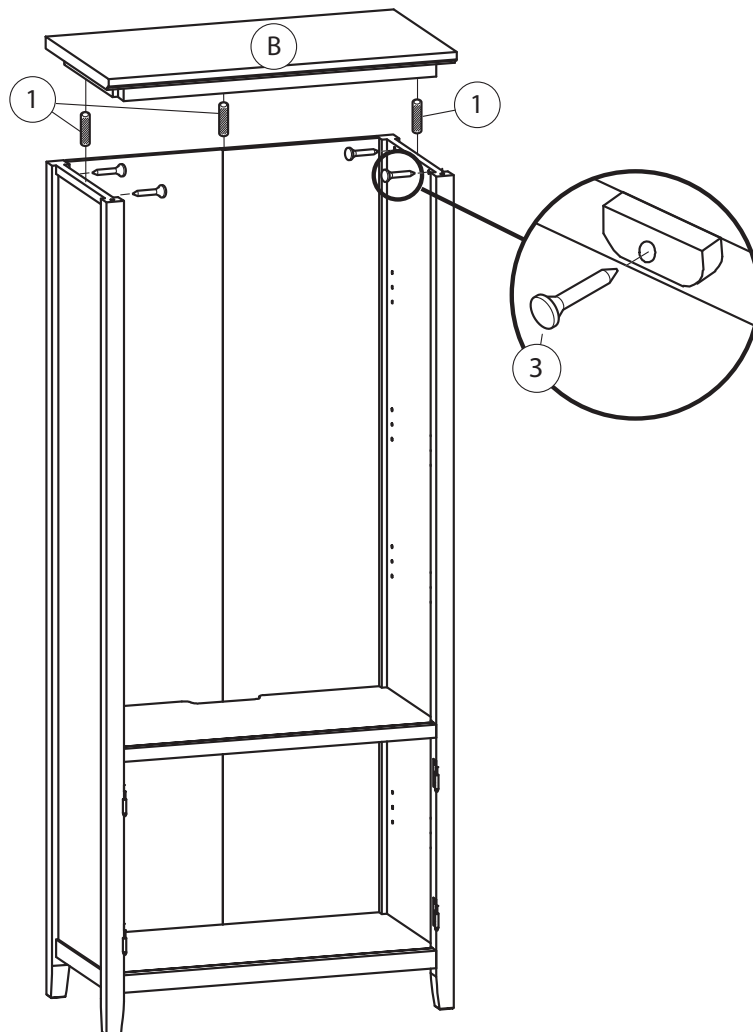
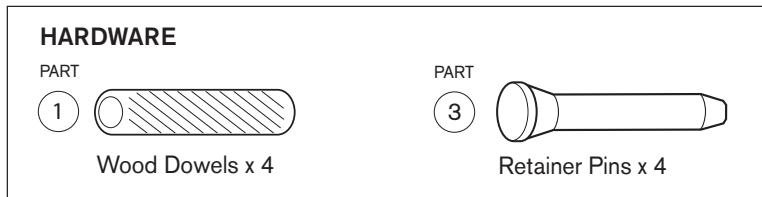
Step 2: Install Bottom and Middle Shelves



1. Place bottom shelf (F) inside the bookcase onto brackets in bookcase frame. Make sure that the shelf's hooks fit securely on the attached bracket.
2. Repeat with middle shelf (E).

NEED HELP? For help with assembly or if you are missing a part, please call the **Sauder Woodworking Co.** 1-800-523-3987 (7 a.m. to 5 p.m. PST).

Step 3: Install Top Shelf



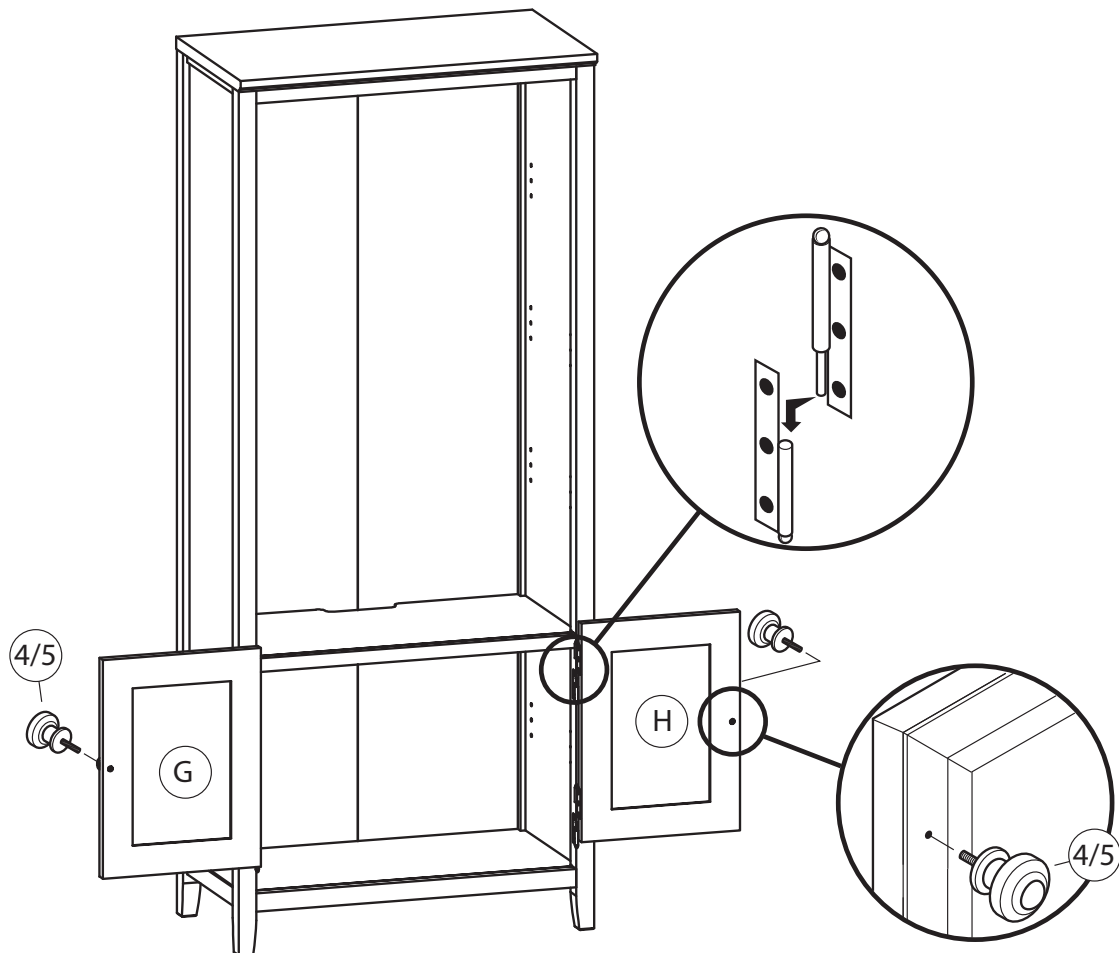
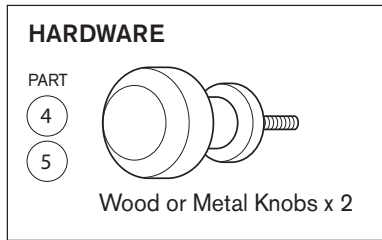
1. Insert a wood dowel into each of the three holes in bookcase frame.

Note: You'll need two adults for the next step.

2. Place top shelf (B) onto dowels and secure using four retainer pins (3).

NEED HELP? For help with assembly or if you are missing a part, please call the **Sauder Woodworking Co.** 1-800-523-3987 (7 a.m. to 5 p.m. PST).

Step 4: Attach Doors

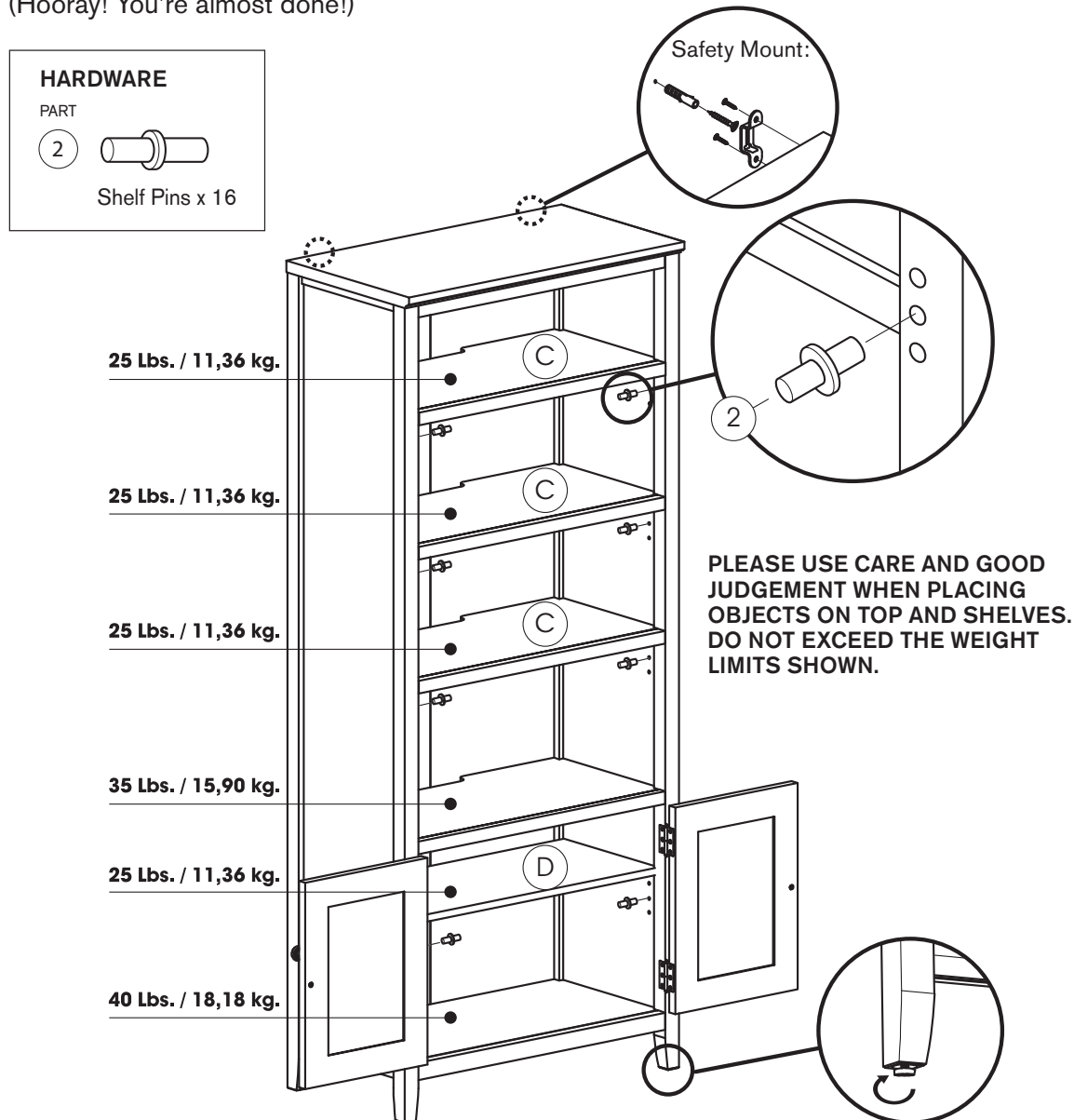


1. Connect hinges on left and right doors (G) and (H) with hinges on bookcase frame.
2. Gently push doors down until the hinges are secure.
3. Select wood or metal knobs (4) or (5) and screw into the doors.

NEED HELP? For help with assembly or if you are missing a part, please call the **Sauder Woodworking Co.** 1-800-523-3987 (7 a.m. to 5 p.m. PST).

Step 5: Install Adjustable Shelves and Level Bookcase

(Hooray! You're almost done!)



1. Insert shelf pins ② into holes in bookcase frame.
2. Place upper and lower adjustable shelves ③ and ④ onto shelf pins.
3. Once the bookcase is in place, you may need to level it. With help, tilt the bookcase and rotate the floor levelers as needed so the bookcase sits level.
4. For safety, we recommend mounting the bookcase to the wall using the enclosed kit.

NEED HELP? For help with assembly or if you are missing a part, please call the **Sauder Woodworking Co.** 1-800-523-3987 (7 a.m. to 5 p.m. PST).

Safety Precautions

Please review the following safety precautions to prevent personal injury or damage to the furniture:

Warning: Do not exceed the maximum weight limit because it can damage the furniture and cause it to tip over.

For Your Child's Safety:

- Do not allow your children to climb or jump on furniture due to possible accident, injury or death.
- A child climbing on a piece of furniture can make it top-heavy and cause the furniture to tip over.

Bulky and Heavy Items:

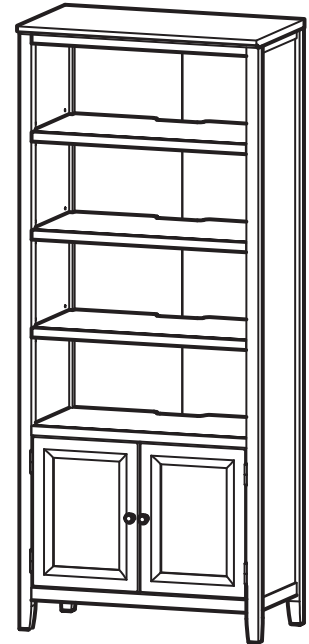
- Use your bookcase appropriately. Do not overload shelves as it could cause personal injury or damage to the furniture.
- Place heavier items on lower shelves.
- Never move or push heavy furniture by yourself because it can cause the furniture to tip over. Ask a friend to help you lift the furniture and set it in an appropriate place.

Securing Furniture:

- Use the included mounting kit to secure furniture to wall studs.

TV Safety:

- This bookcase is designed to be used as a bookcase only. It's not intended to support TVs or other heavy items.



Cleaning and Care for Your Canopy Furniture

- Use products specifically made for cleaning wood.
- Dust frequently with a soft dry cloth in the direction of the grain.
- Use a wood conditioning cleaner that does not contain waxes or silicones (test the product in an unseen location first).
- Clean spills immediately with a soft, damp cloth.
- Standing water can cause white spots on the wood finish.
- Chemicals such as alcohol, perfume, and medicines can cause severe damage to the wood finish.
- Protect wood surfaces by using coasters.
- Use a protective pad when using your furniture as a desk or writing surface (especially when using a ballpoint pen).
- Do not expose wood furniture to direct sunlight, drying heat sources or dampness.

NEED HELP? For help with assembly or if you are missing a part, please call the **Sauder Woodworking Co.** 1-800-523-3987 (7 a.m. to 5 p.m. PST).

LIMITED 1-YEAR WARRANTY

1. Sauder® furniture is warranted by Sauder Woodworking Co. (Sauder) to the original purchaser for a period of one year from the date of purchase against defects in the material or workmanship of furniture components. As used in this Warranty, “defects” mean imperfections in components, which substantially impair the utility of the product.
2. Under this Warranty, Sauder will (at its sole option) repair or replace a defective furniture component. As a condition of furnishing a replacement component claimed to be defective, Sauder may require independent confirmation of the claimed defect. Replacement parts will be warranted for only the remaining period of the original Warranty. This Warranty does not cover the cost of assembly or disassembly, transportation, labor, or any other incidental costs involved in the removal of a defective part or the installation of the replacement part.
3. This Warranty applies under conditions of normal use only. This Warranty does not apply to defects that result from accident, misuse or abuse, intentional damage, fire, flood, alteration or modification of the product, negligence, exposure, or use of the product in a manner inconsistent with its intended use. Sauder shall not be liable for any expense to repair or replace any item placed on, in, or around any Sauder furniture product.
4. This Warranty applies only as long as the product continues to be held for use by the original purchaser. The Warranty cannot be transferred to subsequent owners or users of the product, and it shall be immediately invalidated in the event that the product is resold, transferred, leased or rented to any third party or person other than the original purchaser.
5. THERE ARE NO OTHER EXPRESS WARRANTIES OTHER THAN AS SET FORTH ABOVE. FURTHERMORE, NO IMPLIED WARRANTY, INCLUDING, BUT NOT LIMITED TO, ANY IMPLIED WARRANTY OF MERCHANTABILITY OR FITNESS FOR A PARTICULAR PURPOSE, SHALL EXTEND BEYOND THE TERM OF THIS EXPRESS WARRANTY. Some states do not allow limitations on how long an implied warranty lasts, so the above limitation may not apply to you. SAUDER SHALL HAVE NO LIABILITY TO ANY PERSON FOR LOST PROFITS OR FOR ANY SPECIAL, CONSEQUENTIAL, INDIRECT, EXEMPLARY OR INCIDENTAL DAMAGES OF ANY KIND WHETHER ARISING IN CONTRACT, TORT, PRODUCT LIABILITY OR OTHERWISE. Some states do not allow the exclusion or limitation of incidental or consequential damages, so the above limitation or exclusion may not apply to you. This warranty gives you specific legal rights, and you may also have other rights which vary from state to state. Outside the USA, specific legal rights may vary depending on the country of residence of the original purchaser.
6. For warranty inquiries or claims, you may contact Sauder at 1-800-523-3987, e-mail us at www.sauder.com, or fax us at 419-446-3444. Sauder may require warranty claims to be submitted in writing to Sauder Woodworking Co., 502 Middle Street, Archbold, OH 43502 USA. Please include your sales receipt or other proof of purchase and a specific description of the product defect.