

# Your Super Simple Guide to Setting Up Your Canopy™ 6-Drawer Dresser



**HARDCOAT**  
Durable Top Coat by Valspar

**Product Number: NAH0506c**

- 402183 Chestnut Finish
- 402709 Mahogany Finish

Lot Number: \_\_\_\_\_

Date Purchased: \_\_\_/\_\_\_/\_\_\_

## About Canopy™ Furniture

Decorating your home should be fun and easy. The classic styles of the Canopy™ Cornerstone Collection are designed to work beautifully together and fit right in with your existing furniture.

**Here for the Long Haul.** Every piece in the Canopy Cornerstone Collection is built of solid hardwood and genuine birch veneer, a construction that increases the furniture's strength and durability.

**Stands Up to Real Life.** A multi-step finishing process adds depth and clarity to the wood. For added strength, we finish each piece with a topcoat of HardCoat, made for us by Valspar, a leader in coatings for fine furniture.

**No worries.** Sticky fingers, doggie drool, spilled milk. Life can get messy. Canopy furniture is built to stand up to nearly everything a busy household throws at it.

**Works hard.** Canopy furniture works as hard as you do. Many of the pieces in our collection can multi-task from room-to-room to adapt to the changing needs of your home (or follow the whims of new design and decorating ideas).

The Canopy team would like to thank you for your purchase. Inspired by real life, Canopy furniture will be welcome in your home for years to come. So put your feet up and relax!

This set-up guide contains **important** safety information; please read and keep it for future reference.

**NEED HELP?** For help with assembly or if you are missing a part, please call the **Sauder Woodworking Co.** 1-800-523-3987 (7 a.m. to 5 p.m. PST).

# Canopy 6-Drawer Dresser



## Get Ready!

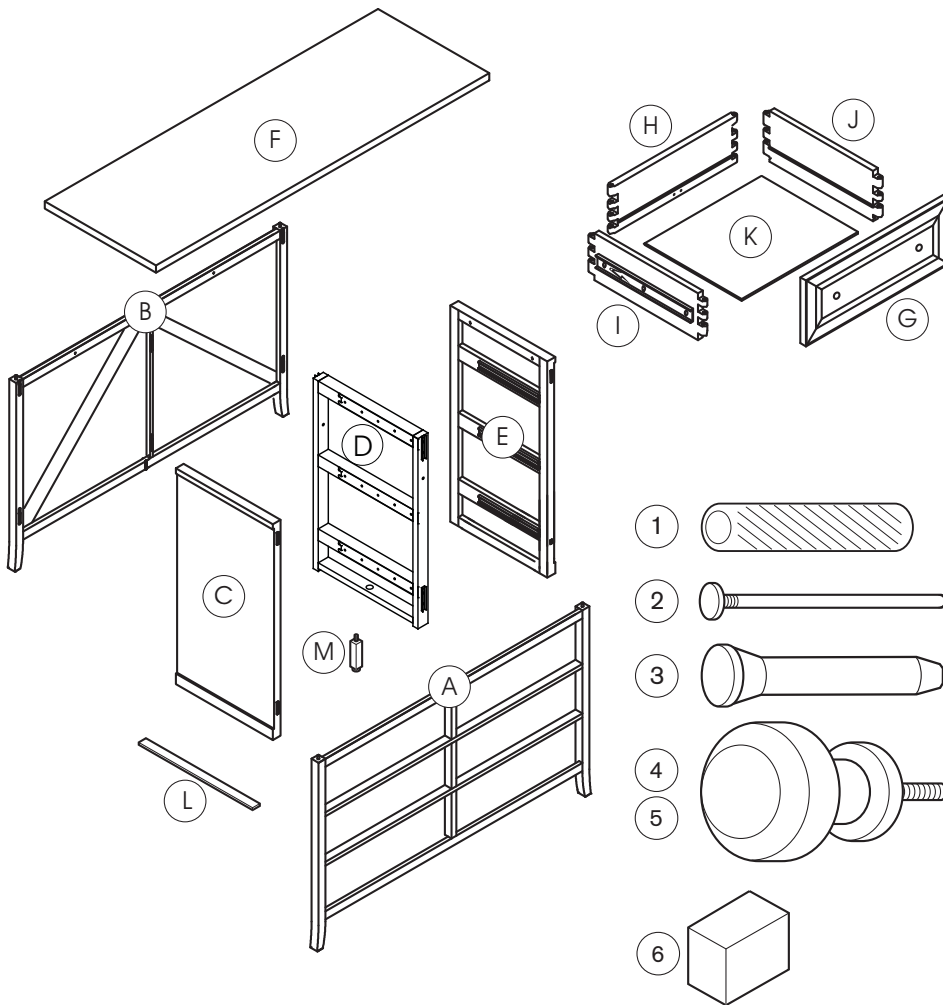
Our furniture uses an innovative, patent-pending, quick assembly method. We tested and assembled every piece ourselves to make sure it's truly easy.

- We recommend two people to assemble this item – so grab a friend to help!
- Please read all the instructions before starting.
- Carefully unpack and identify each part, component, and piece of hardware to make sure you have everything you need for assembly. Lay out each part on a soft, uncluttered surface.



**! Important:** We suggest you use a rubber mallet, but you can also use a hammer. Either way, cushion the pieces with the included wood block to protect the furniture finish.

## 6-Drawer Dresser Parts

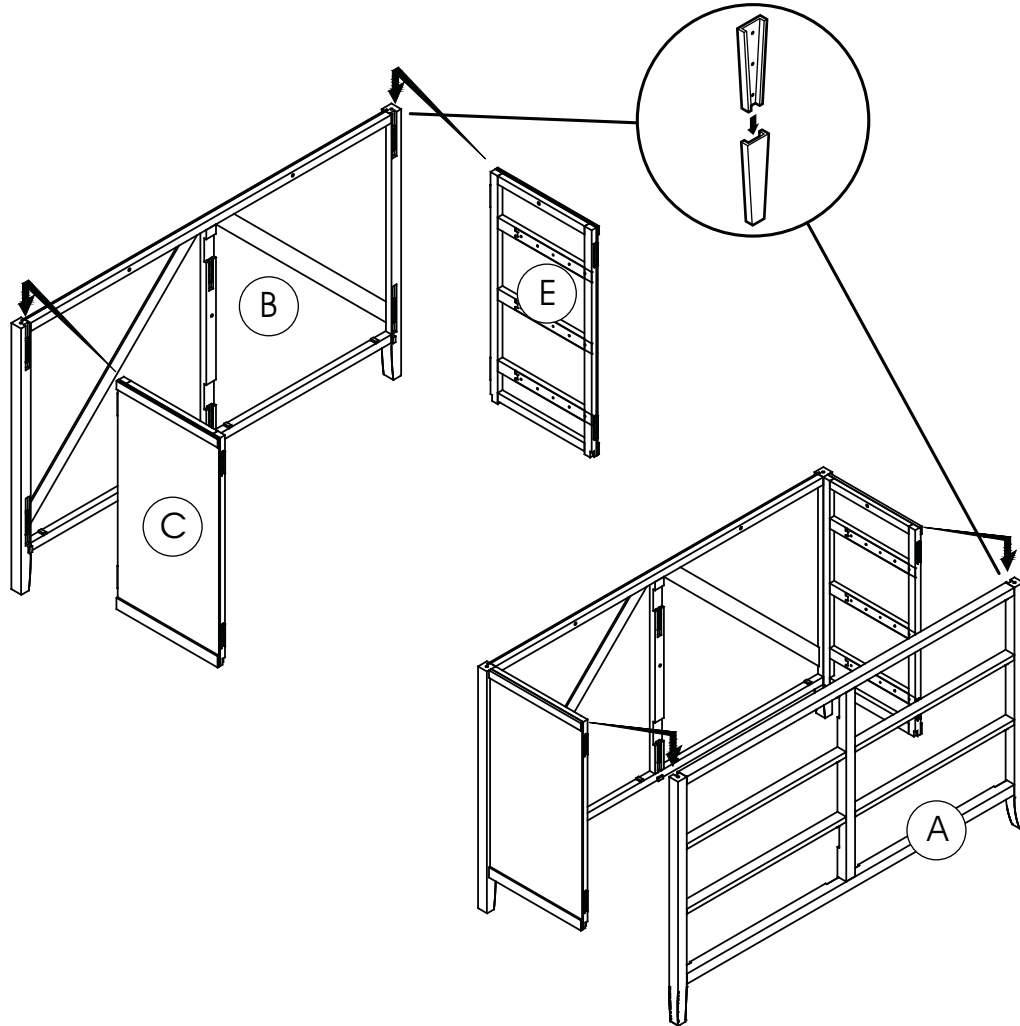


COMPONENTS	
PART	QTY
(A) Front Panel	1
(B) Rear Panel	1
(C) Left Panel	1
(D) Center Panel	1
(E) Right Panel	1
(F) Top Panel	1
(G) Front Drawer Panels	6
(H) Rear Drawer Panels	6
(I) Left Drawer Panels	6
(J) Right Drawer Panels	6
(K) Bottom Drawer Panels	6
(L) Slats	4
(M) Foot	1

HARDWARE	
PART	QTY
(1) Wood Dowels	6
(2) Drawer Pins	48
(3) Retainer Pins	8
(4) (5) Wood and Metal Knobs	12 ea
(6) Wood Block (to protect wood)	1

**NEED HELP?** For help with assembly or if you are missing a part, please call the **Sauder Woodworking Co.** 1-800-523-3987 (7 a.m. to 5 p.m. PST). Make sure you have the name of the missing part so we can replace it quickly. For returns, visit [www.walmart.com](http://www.walmart.com) and follow the steps to return a product. You can also download assembly instructions at [www.walmart.com/canopy](http://www.walmart.com/canopy).

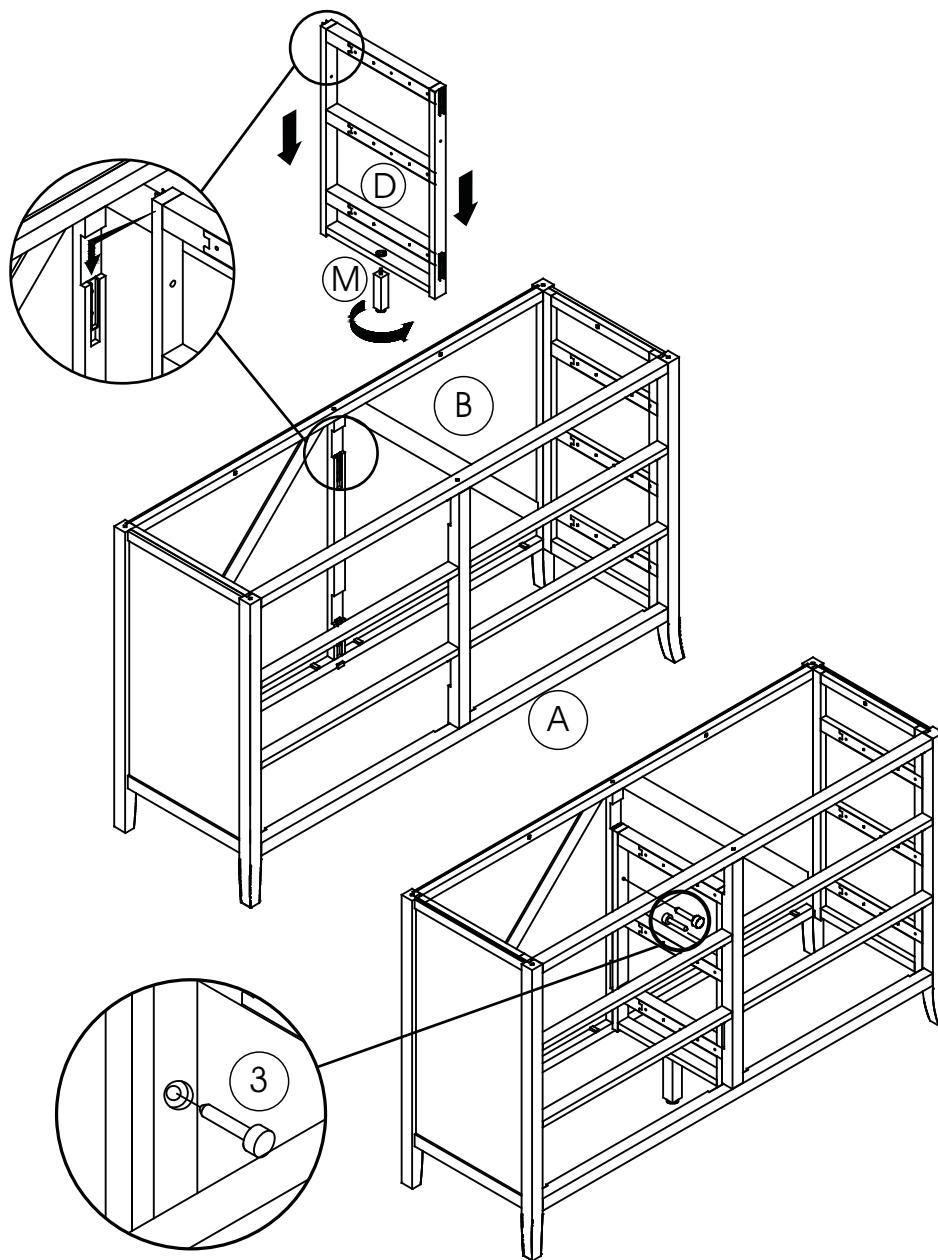
## Step 1: Attach Left and Right Panels



1. Place brackets on left panel (C) into slots on rear panel (B).
2. Push panels down until secure, but loose enough to remove.
3. Place brackets on right panel (E) into slots on rear panel (B).
4. Push panels down until secure, but loose enough to remove.
5. Place brackets on left and right panels into slots on front panel (A).
6. Push panels down until secure, but loose enough to remove.

**NEED HELP?** For help with assembly or if you are missing a part, please call the **Sauder Woodworking Co.** 1-800-523-3987 (7 a.m. to 5 p.m. PST).

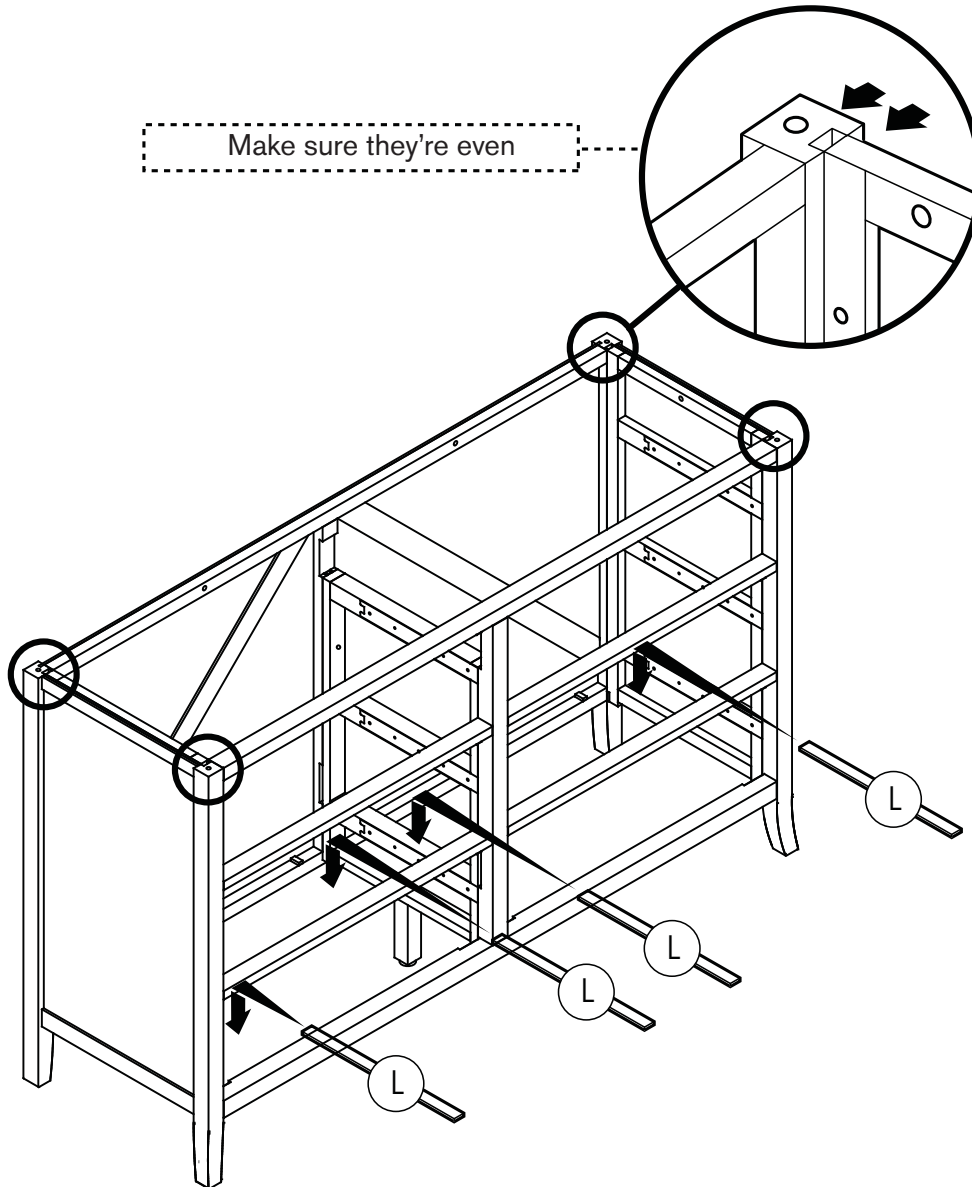
## Step 2: Attach Center Panel



1. Screw foot (M) into center panel (D).
2. Place brackets on center panel (D) into slots on front and rear panels (A) and (B).
3. Secure panel using retainer pins (3).

**NEED HELP?** For help with assembly or if you are missing a part, please call the **Sauder Woodworking Co.** 1-800-523-3987 (7 a.m. to 5 p.m. PST).

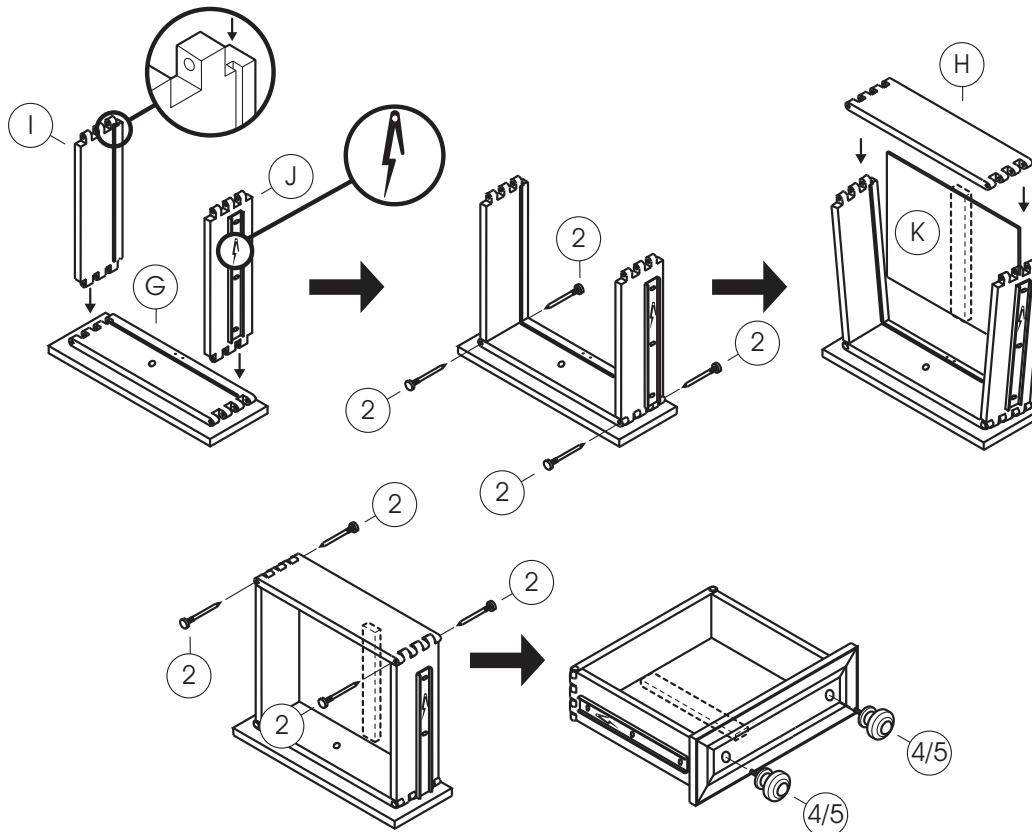
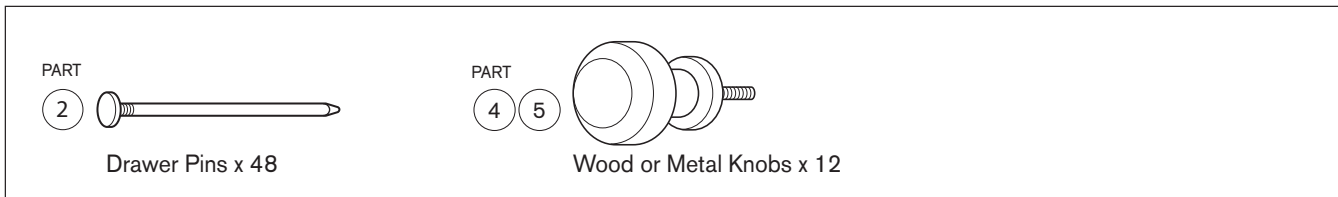
## Step 3: Secure Frame and Add Bottom Slats



1. Make sure all the brackets are inserted properly. If they're not, gently remove panel and reinsert.
2. If necessary, position the wood block over the joints of the left, right and middle panels and gently tap with a mallet or hammer until the edges of panels are even and securely in place.
3. Place slats (L) on left, center and right bottom edges of the dresser.

**NEED HELP?** For help with assembly or if you are missing a part, please call the **Sauder Woodworking Co.** 1-800-523-3987 (7 a.m. to 5 p.m. PST).

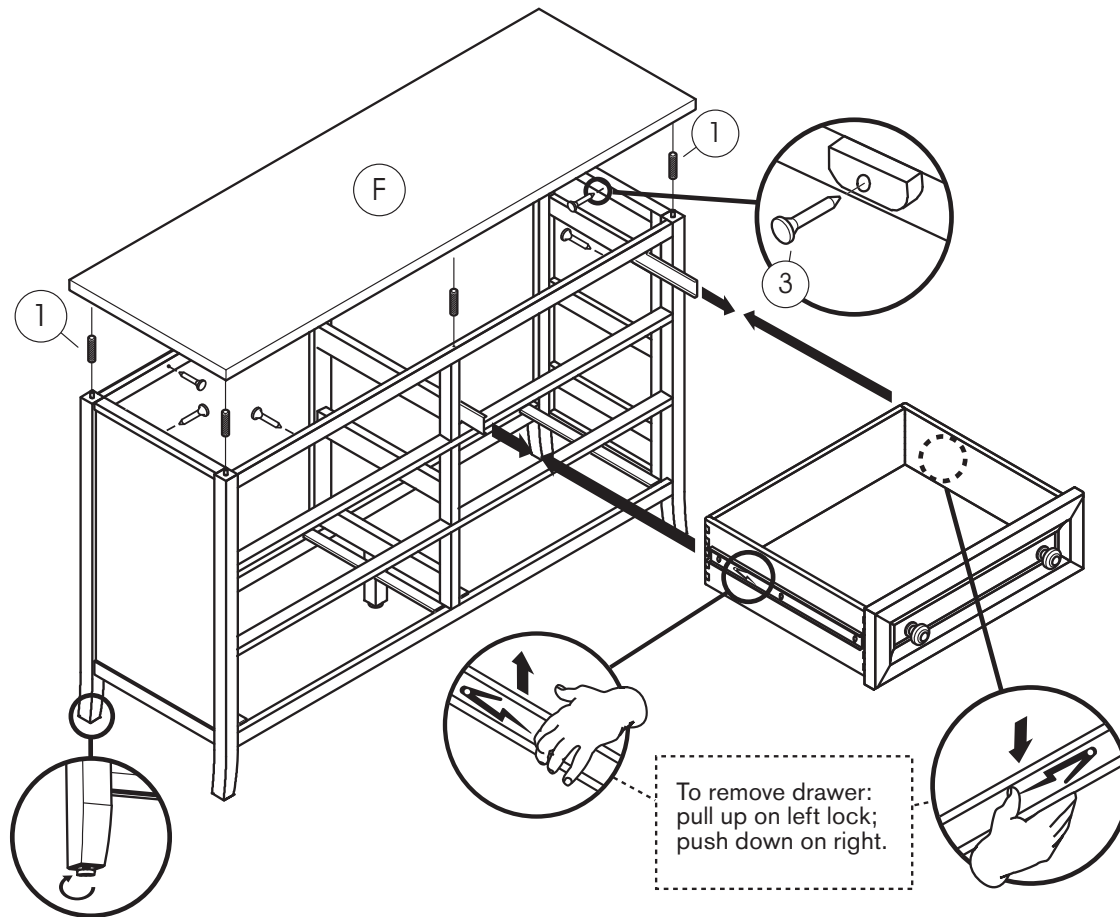
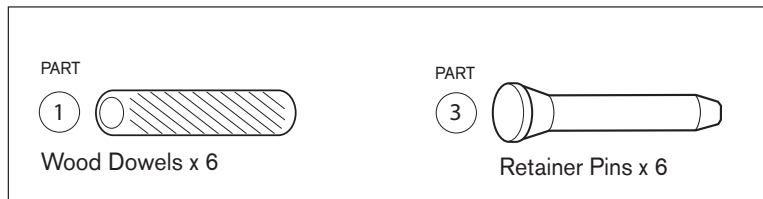
## Step 4: Assemble Drawers



1. Connect left and right drawer panels (I) and (J) to front drawer panel (G) using four drawer pins (2). Make sure black side latches are pointing forward.
2. Slide bottom drawer panel (K) into slots.
3. Connect rear drawer panel (H) to left and right panels using four drawer pins (2). Align the grooves and make sure the dowels in the support bar fit into the back panel. If necessary, gently tap pins with a hammer until even and secure.
4. Select wood or metal knobs (4) or (5) and screw into front drawer panel.
5. Repeat for remaining five drawers.

**NEED HELP?** For help with assembly or if you are missing a part, please call the **Sauder Woodworking Co.** 1-800-523-3987 (7 a.m. to 5 p.m. PST).

## Step 5: Add the Top Panel and Insert Drawers (Hooray! You're almost done!)



1. Insert a wood dowel (1) into each of the six holes in panels.
2. Place top panel (F) onto dowels and secure using six retainer pins (3). If necessary, gently tap pins with a mallet or hammer until top panel is secure.
3. Insert drawer by pulling track on left and right sliders all the way forward (including ball bearing rack). Align tracks on drawer with sliders and push in the drawer.
4. Slowly open and close drawer several times to ensure a good connection. If drawer isn't sitting evenly, find the black locks on the sides of the drawer. Pull up on the left lock and push down on the right and pull out the drawer. Repeat step 1.
5. Repeat steps 3 and 4 for remaining drawers. Once all the drawers are properly inserted and you've moved the dresser into place, you may need to level it. With help, tilt the dresser and rotate the floor levelers as needed.

**NEED HELP?** For help with assembly or if you are missing a part, please call the **Sauder Woodworking Co.** 1-800-523-3987 (7 a.m. to 5 p.m. PST).

# Canopy 6-Drawer Dresser

---



## Safety Precautions

Please review the following safety precautions to prevent personal injury or damage to the furniture:

**Warning:** This dresser can hold a maximum weight of 200 lbs (or 25 lbs per drawer). Do not exceed the maximum weight limit because it can damage the furniture and cause it to tip over.

### For Your Child's Safety:

- Do not allow your children to climb or jump on furniture due to possible accident, injury or death.
- A child climbing on a piece of furniture can make it top-heavy and cause the furniture to tip over.

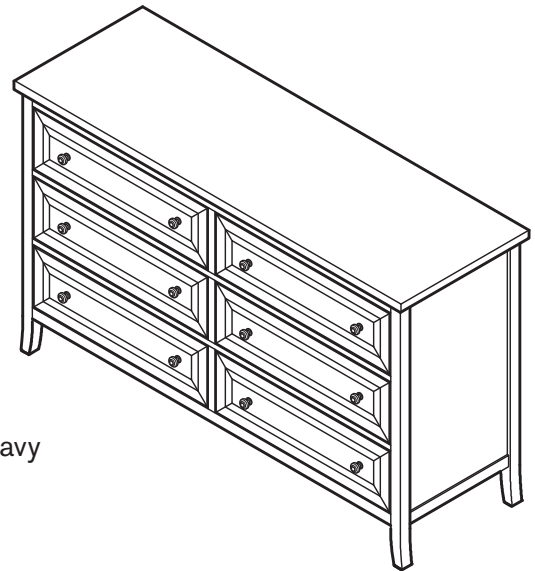
### Bulky and Heavy Items:

- Use your 6-drawer dresser appropriately. Do not overload drawers due to possible risk of injury to yourself or damaging the furniture.
- Never move or push heavy furniture by yourself because it can cause the furniture to tip over. Ask a friend to help you lift the furniture and set it in an appropriate place.

### TV Safety:

This dresser is designed to be used as a dresser only. It's not intended to support TVs or other heavy items.

---



## Cleaning and Care for Your Canopy Furniture

- Use products specifically made for cleaning wood.
- Dust frequently with a soft dry cloth in the direction of the grain.
- Use a wood conditioning cleaner that does not contain waxes or silicones (test the product in an unseen location first).
- Clean spills immediately with a soft, damp cloth.
- Standing water can cause white spots on the wood finish.
- Chemicals such as alcohol, perfume, and medicines can cause severe damage to the wood finish.
- Protect the wood by using coasters.
- Use a protective pad when using your furniture as a desk or writing surface (especially when using a ballpoint pen).
- Do not expose wood furniture to direct sunlight, drying heat sources or dampness.

---

**NEED HELP?** For help with assembly or if you are missing a part, please call the **Sauder Woodworking Co.** 1-800-523-3987 (7 a.m. to 5 p.m. PST).

## LIMITED 1-YEAR WARRANTY

1. Sauder® furniture is warranted by Sauder Woodworking Co. (Sauder) to the original purchaser for a period of one year from the date of purchase against defects in the material or workmanship of furniture components. As used in this Warranty, “defects” mean imperfections in components, which substantially impair the utility of the product.
2. Under this Warranty, Sauder will (at its sole option) repair or replace a defective furniture component. As a condition of furnishing a replacement component claimed to be defective, Sauder may require independent confirmation of the claimed defect. Replacement parts will be warranted for only the remaining period of the original Warranty. This Warranty does not cover the cost of assembly or disassembly, transportation, labor, or any other incidental costs involved in the removal of a defective part or the installation of the replacement part.
3. This Warranty applies under conditions of normal use only. This Warranty does not apply to defects that result from accident, misuse or abuse, intentional damage, fire, flood, alteration or modification of the product, negligence, exposure, or use of the product in a manner inconsistent with its intended use. Sauder shall not be liable for any expense to repair or replace any item placed on, in, or around any Sauder furniture product.
4. This Warranty applies only as long as the product continues to be held for use by the original purchaser. The Warranty cannot be transferred to subsequent owners or users of the product, and it shall be immediately invalidated in the event that the product is resold, transferred, leased or rented to any third party or person other than the original purchaser.
5. **THERE ARE NO OTHER EXPRESS WARRANTIES OTHER THAN AS SET FORTH ABOVE. FURTHERMORE, NO IMPLIED WARRANTY, INCLUDING, BUT NOT LIMITED TO, ANY IMPLIED WARRANTY OF MERCHANTABILITY OR FITNESS FOR A PARTICULAR PURPOSE, SHALL EXTEND BEYOND THE TERM OF THIS EXPRESS WARRANTY.** Some states do not allow limitations on how long an implied warranty lasts, so the above limitation may not apply to you. **SAUDER SHALL HAVE NO LIABILITY TO ANY PERSON FOR LOST PROFITS OR FOR ANY SPECIAL, CONSEQUENTIAL, INDIRECT, EXEMPLARY OR INCIDENTAL DAMAGES OF ANY KIND WHETHER ARISING IN CONTRACT, TORT, PRODUCT LIABILITY OR OTHERWISE.** Some states do not allow the exclusion or limitation of incidental or consequential damages, so the above limitation or exclusion may not apply to you. This warranty gives you specific legal rights, and you may also have other rights which vary from state to state. Outside the USA, specific legal rights may vary depending on the country of residence of the original purchaser.
6. For warranty inquiries or claims, you may contact Sauder at 1-800-523-3987, e-mail us at [www.sauder.com](http://www.sauder.com), or fax us at 419-446-3444. Sauder may require warranty claims to be submitted in writing to Sauder Woodworking Co., 502 Middle Street, Archbold, OH 43502 USA. Please include your sales receipt or other proof of purchase and a specific description of the product defect.